

Integrated Display Industrial Computers

Catalog Numbers 6181P, 6189V-6181TRAY, 6189V-6181HDD100GB, 6189V-6181SSD32GB, 6189V-6181SSD64GB, 6189V-BOOKBRKT, 6189V-DPDVI, 6189V-DPVG, 6189V-PCIR, 6189V-EXTPCI2, 6189V-PSU6181AC, 6189V-PSU6181DC, 6189V-8GSODDR3, 6189V-16GSODDR3, 6189V-ODD, 6189V-ACCESSBOX6181



Important User Information

Read this document and the documents listed in the additional resources section about installation, configuration, and operation of this equipment before you install, configure, operate, or maintain this product. Users are required to familiarize themselves with installation and wiring instructions in addition to requirements of all applicable codes, laws, and standards.

Activities including installation, adjustments, putting into service, use, assembly, disassembly, and maintenance are required to be carried out by suitably trained personnel in accordance with applicable code of practice.

If this equipment is used in a manner not specified by the manufacturer, the protection provided by the equipment may be impaired.

In no event will Rockwell Automation, Inc. be responsible or liable for indirect or consequential damages resulting from the use or application of this equipment.

The examples and diagrams in this manual are included solely for illustrative purposes. Because of the many variables and requirements associated with any particular installation, Rockwell Automation, Inc. cannot assume responsibility or liability for actual use based on the examples and diagrams.

No patent liability is assumed by Rockwell Automation, Inc. with respect to use of information, circuits, equipment, or software described in this manual.

Reproduction of the contents of this manual, in whole or in part, without written permission of Rockwell Automation, Inc., is prohibited.

Throughout this manual, when necessary, we use notes to make you aware of safety considerations.



WARNING: Identifies information about practices or circumstances that can cause an explosion in a hazardous environment, which may lead to personal injury or death, property damage, or economic loss.



ATTENTION: Identifies information about practices or circumstances that can lead to personal injury or death, property damage, or economic loss. Attentions help you identify a hazard, avoid a hazard, and recognize the consequence.

IMPORTANT

Identifies information that is critical for successful application and understanding of the product.

Labels may also be on or inside the equipment to provide specific precautions.



SHOCK HAZARD: Labels may be on or inside the equipment, for example, a drive or motor, to alert people that dangerous voltage may be present.



BURN HAZARD: Labels may be on or inside the equipment, for example, a drive or motor, to alert people that surfaces may reach dangerous temperatures.



ARC FLASH HAZARD: Labels may be on or inside the equipment, for example, a motor control center, to alert people to potential Arc Flash. Arc Flash will cause severe injury or death. Wear proper Personal Protective Equipment (PPE). Follow ALL Regulatory requirements for safe work practices and for Personal Protective Equipment (PPE).

Preface	Preface Objectives.....	7
	Purpose of This Manual	7
	Additional Resources.....	7
	Abbreviations.....	8
	 Chapter 1	
Features	Chapter Objectives.....	9
	Computer Overview	9
	Operating Systems	10
	Computer Options.....	11
	Before You Begin	12
	Parts List	13
	Hardware Features	13
	External Components and I/O	13
	Internal Components.....	15
	System Features.....	16
	Multi-touch Touchscreens	16
	Status Indicators and UIB.....	17
	Hardware Monitor and Watchdog Timer Utilities.....	18
	Hardware Monitor	18
	Watchdog Timer	18
	Intel Active Management Technology (AMT) 9.0	18
	Intel Rapid Start Technology.....	19
	 Chapter 2	
Installation	Chapter Objectives.....	21
	Installation Precautions.....	22
	Environment and Enclosure Information.....	22
	European Union Directive	22
	Installation Guidelines	23
	Mounting Clearance Requirements.....	24
	Computer Dimensions	24
	Required Tools	28
	Install the Computer	28
	Panel Mounting Guidelines	28
	Panel Cutout Dimensions	29
	Mount the Display Computer in a Panel	30
	Mount the Non-display Computer	32
	Connect Peripherals	33
	Connect Power	34
	Connect AC Power.....	34
	Connect DC Power	35

	Functional Ground Screw.....	36
	AC Power Models	36
	DC Power Models	36
	Connect to a Network	37
	Chapter 3	
Operation	Chapter Objectives	39
	Operating Guidelines	39
	Touchscreen Precautions.....	40
	Start the Computer.....	40
	Restart the Computer.....	41
	Shut Down the Computer	41
	Adjust the Display Brightness	42
	Chapter 4	
Component Replacement	Chapter Objectives	43
	Accessories and Replacement Parts.....	43
	Voltage Precautions	43
	Electrostatic Discharge Precautions	44
	Pre-configuration.....	44
	Post-configuration.....	45
	Required Tools.....	45
	Remove the Cover.....	45
	Reinstall the Cover	46
	CompactFlash Card	46
	Drive Precautions	47
	Replace a Drive.....	47
	Replace or Add Memory Modules	48
	Memory Configuration Guidelines.....	49
	Replace or Add a Memory Module	49
	Replace the RTC Battery.....	50
	Replace the Power Supply Unit.....	52
	Chapter 5	
UEFI Set-up Utility	Chapter Objectives	57
	Set-up Utility Overview.....	57
	Access the Set-up Utility	58
	Set-up Screen Overview.....	58
	Firmware Update.....	59
	Firmware Configuration	60
	Common Buttons at the Bottom of Screens.....	60
	Main	61

Advanced.....	62
Enable PXE Boot.....	62
PCI Subsystem Settings.....	63
ACPI Settings.....	64
CPU Configuration.....	65
SATA Configuration (AHCI mode).....	66
SATA Configuration (RAID mode).....	67
SATA Configuration (IDE mode).....	68
USB Configuration.....	69
Power Configuration.....	70
Intel Rapid Start Technology.....	71
Super IO Configuration.....	72
Hardware Monitor.....	73
AMT Configuration.....	74
Chipset.....	75
User Interface Button (UIB).....	76
Watchdog Timer.....	77
Boot.....	78
Security.....	79
Save & Exit.....	80
Diagnostics.....	81
AMI Rescue.....	83
Make a Backup.....	85
Restore from an Image.....	86
Hardware History.....	87
Exit.....	88

Chapter 6

System Troubleshooting

Chapter Objectives.....	89
Hardware Monitoring.....	89
Troubleshooting.....	90
Troubleshooting Checklists.....	91
Issues during Startup.....	91
Issues after Startup.....	91
Issues Running New Software.....	92
Issues with the Add-in Card.....	92
Issues with the Integrated Display.....	92
Issues with an External Display.....	92
Diagnostics.....	93
Load the System Defaults.....	94
Clear the UEFI.....	95
Ship or Transport the Computer.....	95
Dispose of the Computer.....	96

	Chapter 7	
Use a Touchscreen	Touchscreen Technology	97
	Driver Software	97
	PCAP Touchscreen Technology.....	97
	Resistive Technology	98
	Calibrate the Resistive Touchscreen.....	98
	Chapter 8	
Maintenance	Chapter Objectives	99
	Clean the Computer.....	99
	Clean the Integrated Display	99
	Clean the Fan (Intel Core i7 models).....	100
	Clean the Heat Sink and Vent Holes	100
	Remove Paint and Grease from Bezel	100
	Appendix A	
Specifications	101
	Appendix B	
Accessories Installation	Objectives	113
	Pre-installation Checklist	113
	Install an Add-in Card	114
	PCI/PCIe Riser Board Options.....	116
	Install Additional Memory.....	119
Index	121

Preface Objectives

This preface covers the following topics:

- [Purpose of This Manual](#)
- [Additional Resources](#)
- [Abbreviations](#)

Purpose of This Manual

This manual is a user guide for integrated display industrial computers. It provides procedures to the following:

- Install the computer.
- Make computer connections.
- Operate the computer.
- Troubleshoot the computer.

Additional Resources

These documents contain additional information to related products from Rockwell Automation.

Resource	Description
Industrial Integrated Display Computers Product Information, publication 6181P-PC001	Provides basic product information on the integrated display computers.
Industrial Automation Wiring and Grounding Guidelines, publication 1770-4.1	Provides general guidelines for installing a Rockwell Automation® industrial system.

You can view or download publications at <http://www.rockwellautomation.com/literature>. To order paper copies of technical documentation, contact your local Allen-Bradley distributor or Rockwell Automation sales representative.

Abbreviations

The following abbreviations are used in this publication.

Abbr	Meaning
ACPI	Advanced configuration (and) power interface
AHCI	Advanced host controller interface
AMI	American Megatrends, Inc.
AMT	Active management technology
BIOS	Basic input/output system
CF	CompactFlash
CPU	Central processing unit
CMOS	Complementary metal oxide semiconductor
COM	Communication (serial port interface)
CRC	Cyclic redundancy clock
DDR	Double data rate (RAM)
DIMM	Dual in-line memory module
DP	DisplayPort (digital display interface)
DVI	Digital video interface
DVMT	Dynamic video memory technology
ECC	Error correcting code
eDP	Embedded DisplayPort
EEA	European Environment Agency
EMC	Electromagnetic compatibility
EOS	Embedded operating system
ESD	Electrostatic discharge
EWf	Enhanced write filter
FAT	File allocation table
HDD	Hard disk drive
HORM	Hibernate once, resume many
IDE	Integrated device electronics
IEC	International Engineering Consortium
IGD	Intel graphics driver
KVM	Keyboard video mouse
LAN	Local area network
NEMA	National Electrical Manufacturers Association
ODD	Optical disk drive

Abbr	Meaning
OSK	On screen keyboard
PCAP	Protective capacitive (touchscreen)
PCB	Printed circuit board
PCDC	Product Compatibility and Download Center
PCH	Platform control hub
PCI	Peripheral component interconnect
PCIe	Peripheral component interconnect express
PEG	PCI express graphics
PELV	Protective extra-low voltage
PERR	PCI parity error
POST	Power on self test
PSU	Power supply unit
PXE	Pre-boot execution environment
RAID	Redundant array (of) independent disks
RAM	Random access memory
RIUP	Remove or insert under power
RMS	Root-mean-square
RTC	Real-time clock
SAS	Serial attached SCSI
SATA	Serial advanced technology attachment
SCSI	Small computer system interface
SELV	Safety extra-low voltage
SERR	PCI signal error
SPD	Serial presence detect
SSD	Solid state drive
TFT	Thin film transistor
UEFI	Universal extensible firmware interface
USB	Universal serial bus
UPS	Uninterruptible power source
VBAT	Voltage (battery)
VDDR	Voltage (DDR RAM)
VGA	Video graphics array

Features

Chapter Objectives

This chapter provides information on the following topics:

- [Computer Overview](#)
- [Operating Systems](#)
- [Computer Options](#)
- [Before You Begin](#)
- [Parts List](#)
- [Hardware Features](#)

Computer Overview

The Rockwell Automation 6181P integrated display industrial computers provide users with a simplified, all-in-one touchscreen and a CPU with the technology to support everything from traditional Microsoft and Linux operating systems to virtualized images. This platform was designed to complement the Intel fourth generation Core-i processors and bring technology such as USB 3.0, DisplayPort, and Intel Rapid Start capabilities to these computers.

6181P integrated display industrial computers answer the needs of the industries we serve by offering a variety of display sizes, models, and mounting methods. Display and non-display models are available, with display sizes offered in both standard (4:3/5:4) format and widescreen (16:9) format. 6181P stainless steel bezel display computers address NEMA 4X requirements and are a choice selection for food and beverage applications. Various mounting methods are possible with these computers in landscape and portrait orientations, as well as a space-saving ‘bookshelf’ mounting option on non-display versions.

The integrated display computers with an aluminum bezel provide several easy-to-use features for quicker decisions and action:

- Front status indicators - Provide a quick at-a-glance status about the personal computer hardware.
- Front lockable USB 3.0 port - Provides easy but controlled access to files, images, and system data.
- Front User Interface Button (UIB) - Provides one-touch UEFI (BIOS) access upon startup and is user-configurable for application flexibility.

The Rockwell Automation 6181P integrated display industrial computers offer a platform that is designed, built, and tested to withstand the wear and tear of everyday use in tough, industrial environments.

Operating Systems

The following Microsoft-licensed operating systems are available:

- Windows 7 Professional (64 bit), Service Pack 1
- Windows XP Professional, Service Pack 3
- Windows Server 2008 R2 Standard (64 bit), Service Pack 1
- Windows Embedded Standard (WES) 7 (64 bit), Service Pack 1

No operating system updates have been applied to the factory image beyond the above listed service packs.

IMPORTANT 6181P computers do not ship with the Windows XP Professional operating system. Windows XP system images are available from the Rockwell Automation Product Compatibility and Download Center: <http://www.rockwellautomation.com/support/pcdc.page>.

To obtain a copy of a factory system image, contact your local technical support center or access the Rockwell Automation Product Compatibility and Download Center (PCDC): <http://www.rockwellautomation.com/support/pcdc.page>.

Computer Options

This table summarizes the options available for the integrated display industrial computers. A comparative summary of features for the computers is in Appendix A, [Specifications on page 101](#).

Table 1 - Computer Options

Cat. No. (6181P-)	Model	Tier ⁽¹⁾	Series	Power	Display Size (in.)	Aspect Ratio	Touchscreen	Bezel	Storage	Windows OS						
00N2HW71AC	NDM	2	F	AC	N/A	N/A	N/A	None (non-display)	HDD	7 Professional 64 bit SP1						
00N2HW71DC				DC												
00N2SW71AC				AC							SSD					
00N2SW71DC				DC												
00N2SE71AC				AC												
00N2SE71DC				DC					WES 7 64 bit SP1							
00N3HW71AC		3		AC	HDD	7 Professional 64 bit SP1										
00N3HW71DC				DC												
00N3SW71AC				AC			SSD									
00N3SW71DC				DC												
00N3RS81AC				AC	HDD (2)			Server 2008 R2 64 bit SP 1								
00N3RS81DC				DC												
12A2HW71AC	1200P	2	AC	12	4:3	Resistive	Aluminum	HDD	7 Professional 64 bit SP1							
12A2HW71DC			DC													
12A2SW71AC			AC							SSD						
12A2SW71DC			DC													
12A2SE71AC			AC													
12A2SE71DC			DC					WES 7 64 bit SP1								
15A2HW71AC	1500P	2	AC	15	4:3	Resistive	Aluminum	HDD	7 Professional 64 bit SP1							
15A2HW71DC			DC													
15A2SW71AC			AC							SSD						
15A2SW71DC			DC													
15A2SE71AC			AC													
15A2SE71DC			DC					WES 7 64 bit SP1								
15C2HW71AC			3					AC		15 ⁽²⁾	16:9	PCAP	Aluminum	Stainless steel	HDD	7 Professional 64 bit SP1
15C2HW71DC								DC								
15C2SW71AC								AC								
15C2SW71DC								DC								
15A3HW71AC								AC								
15A3HW71DC								DC						HDD		
15A3SW71AC		AC	SSD													
15A3SW71DC		DC														
15B3HW71AC		AC	HDD													
15B3HW71DC		DC														
15B3SW71AC		AC	SSD													
15B3SW71DC		DC														

Table 1 - Computer Options (continued)

Cat. No. (6181P-)	Model	Tier ⁽¹⁾	Series	Power	Display Size (in.)	Aspect Ratio	Touchscreen	Bezel	Storage	Windows OS			
17A2HW71AC	1700P	2	F	AC	17	5:4	Resistive	Aluminum	HDD	7 Professional 64 bit SP1			
17A2HW71DC													
17A2SW71AC													
17A2SW71DC													
17A2SE71AC													
17A2SE71DC													
17C2HW71AC				Stainless steel					HDD	7 Professional 64 bit SP1			
17C2HW71DC													
17C2SW71AC													
17C2SW71DC													
17A3HW71AC											3	AC	HDD
17A3HW71DC													
17A3SW71AC													
17A3SW71DC													
17A3SW71DC	SSD	HDD	7 Professional 64 bit SP1										
19A2HW71AC				1900P	2	F	AC	19	5:4	Resistive	Aluminum	HDD	7 Professional 64 bit SP1
19A2HW71DC													
19A2SW71AC													
19A2SW71DC													
19A2SE71AC													
19A2SE71DC													
19C2HW71AC	Stainless steel	HDD	7 Professional 64 bit SP1										
19C2HW71DC													
19C2SW71AC													
19C2SW71DC													
19A3HW71AC							3					AC	HDD
19A3HW71DC													
19A3SW71AC													
19A3SW71DC													
19A3SW71DC	SSD	HDD	7 Professional 64 bit SP1										
19B3HW71AC				19 ⁽¹⁾	16:9	HDD							
19B3HW71DC													
19B3SW71AC													
19B3SW71DC													
19B3SW71DC	SSD	HDD	7 Professional 64 bit SP1										

(1) Tier 2 computer models have Intel Core i3 processors and Tier 3 computer models have Intel Core i7 processors.

(2) 15.6 inches and 18.5 inches for diagonal sizes of 15 and 19 inch widescreen displays, respectively.

Before You Begin

Before unpacking the computer, inspect the shipping carton for damage. If damage is visible, immediately contact the shipper and request assistance. Otherwise, proceed with unpacking.

Keep the original packing material in case you need to return the computer for repair or transport it to another location. Use both the inner and outer packing cartons to provide adequate protection for a computer returned for service.

Parts List

The computers ship with the following items.

Item	Description
Hardware	<ul style="list-style-type: none"> Power cord for AC power models Mounting clips⁽¹⁾ Keys for front access cover lock⁽²⁾ Assembly screw bag
Documents	<ul style="list-style-type: none"> Integrated Display Industrial Computers Product Information, publication 6181P-PC001 One of the following cutout templates: <ul style="list-style-type: none"> 6181P and 6181X Industrial Computers Cutout Template for Standard Display Models (4:3 and 5:4 aspect ratios), publication 6181P-DS002⁽¹⁾ 6181P and 6181X Industrial Computers Cutout Template for Widescreen Display Models (16:9 aspect ratio), publication 6181P-DS003⁽¹⁾ Production test report

(1) Shipped only with display computers.

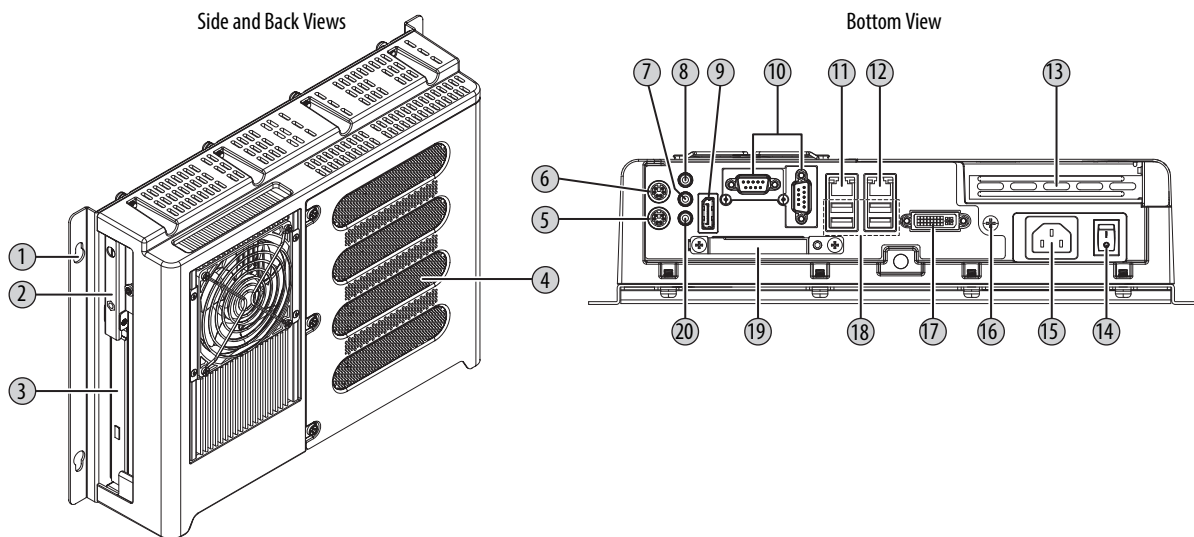
(2) Shipped only with computers with aluminum bezels; see the table in [Computer Options on page 11](#) for more information.

Hardware Features

The illustrations in this section show the hardware features of each computer.

External Components and I/O

Figure 1 - Non-display Computers



Item	Component
1	Mounting hole, 4
2	HDD or SSD
3	Drive bay ⁽¹⁾
4	Rear cover
5	PS/2 keyboard port
6	PS/2 mouse port
7	Audio line-out jack

Item	Component
8	Audio line-in jack
9	DisplayPort connector
10	Serial COM ports, 2
11	LAN 2 Ethernet port (8P8C/RJ45)
12	LAN 1 Ethernet port (8P8C/RJ45)
13	PCIe x8 riser slot cover
14	Power switch

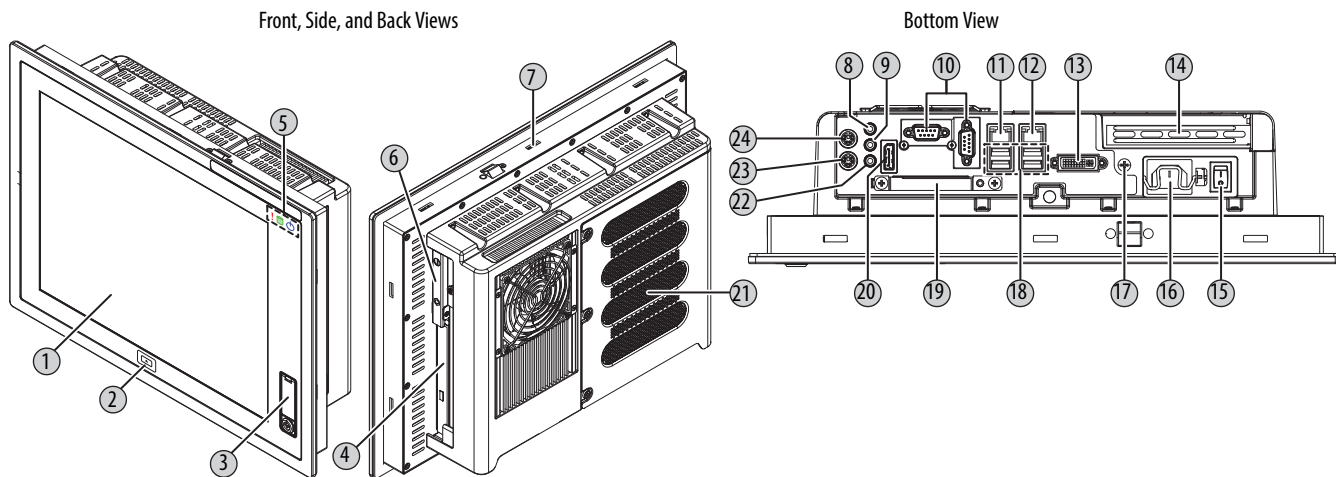
Item	Component
15	Power input, AC or DC ⁽²⁾
16	Functional ground screw
17	DVI-I port
18	External USB 3.0 ports, 4 ⁽³⁾
19	CompactFlash Type II card slot
20	Microphone-in jack

(1) Bay for ODD, second HDD (for RAID configuration), or no drive. See [Appendix A](#) for further information.

(2) Model dependent.

(3) All non-display models have four external USB 3.0 ports and one internal USB 3.0 port.

Figure 2 - Integrated Display Computers



Item	Component
1	Touchscreen and display panel ⁽¹⁾
2	User interface button (UIB) ⁽²⁾
3	Front access cover ⁽²⁾
4	ODD ⁽³⁾
5	Status indicator icons, 3 ⁽²⁾
6	HDD or SSD
7	Mounting slots
8	Audio line-in jack

Item	Component
9	Audio line-out jack
10	Serial COM ports, 2
11	LAN 2 Ethernet port (8P8C/RJ45)
12	LAN 1 Ethernet port (8P8C/RJ45)
13	DVI-I port
14	PCIe x8 riser slot cover
15	Power switch
16	Power input, AC or DC ⁽⁴⁾

Item	Component
17	Functional ground screw
18	External USB 3.0 ports, 4 ⁽⁵⁾
19	CompactFlash Type II card slot
20	DisplayPort connector
21	Rear cover
22	Microphone-in jack
23	PS/2 keyboard port
24	PS/2 mouse port

(1) See [Appendix A](#) for touchscreen options.

(2) Available only on display models with aluminum bezel.

(3) An ODD is not available on all display models. See [Appendix A](#) for further information.

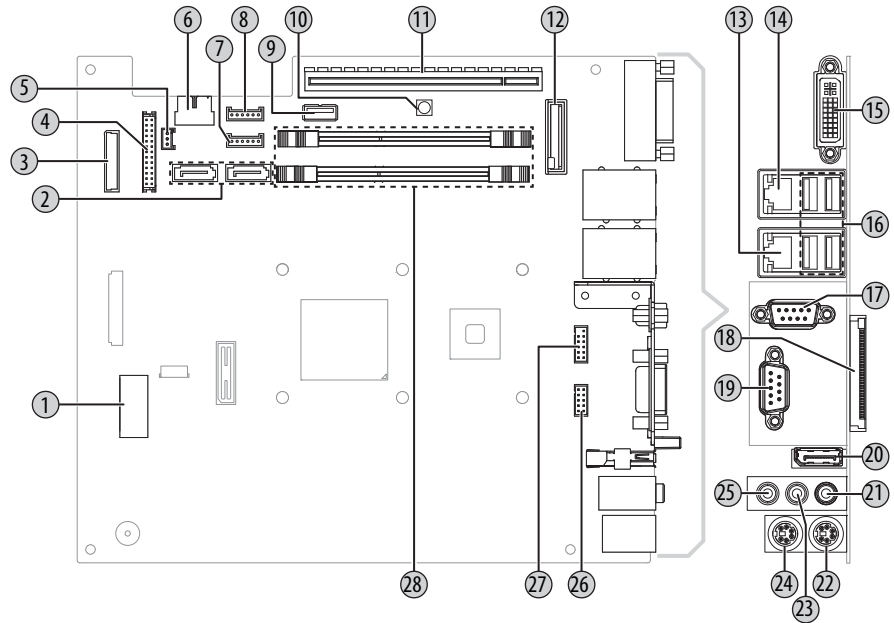
(4) Model dependent.

(5) All display models have four external USB 3.0 ports and one internal USB 3.0 port. Display models with an aluminum bezel have an additional external USB 3.0 port on the bezel (behind the front access cover).

Internal Components

The illustrations in this section show the system board layouts for all non-display and display computers.

Figure 3 - Motherboard



Item	Component
1	Power connector
2	Mini-SATA cable connector, 2
3	eDP signal cable connector
4	Panel cable connector
5	Power switch cable connector
6	USB cable connector
7	ODD and HDD power cable connector
8	System fan 1 connector
9	Internal USB 3.0 connector

Item	Component
10	Clear UEFI button
11	Riser-card board connector
12	Battery socket
13	1 Gb LAN 2 port
14	1 Gb LAN 1 port
15	DVI-I port
16	Rear USB 3.0 ports, 4
17	RS-232 serial port, (COM2)
18	CompactFlash Type II slot
19	RS-232 serial port (COM1)

Item	Component
20	DisplayPort connector
21	Microphone-in jack
22	PS/2 keyboard port
23	Audio line-out jack
24	PS/2 mouse port
25	Audio line-in jack
26	COM1 cable connector
27	COM2 cable connector
28	DDR3 DIMM slot, 2

Figure 4 - Panel Adapter Board (only in display models)

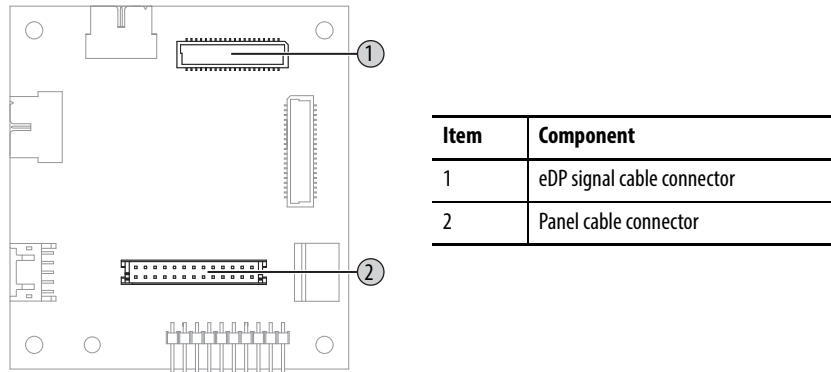
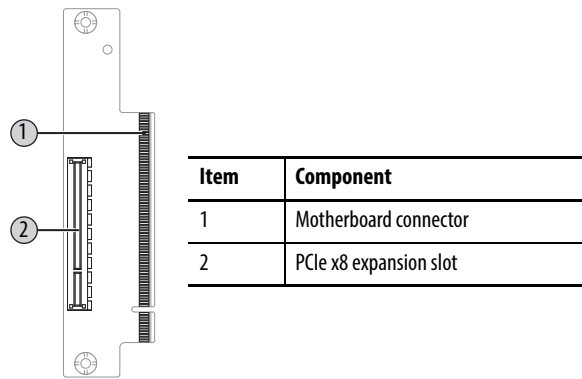


Figure 5 - Riser-card Board, Single-slot



System Features

The following system features are found on this line of integrated display computers.

Multi-touch Touchscreens

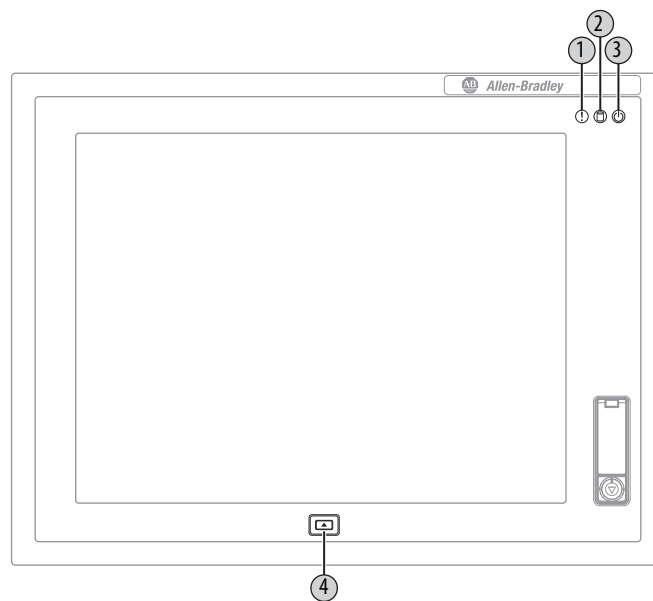
The 6181P integrated display industrial computers offer models with glass-front, multi-touch PCAP touchscreens. The multi-touch technology provides up to two simultaneous touches and common gesturing (such as flicking, rotating and pinch-to-zoom) when operating the touchscreen. These touchscreens can also be operated with gloves.

PCAP touchscreens are pre-calibrated at the factory so re-calibration by the user is not necessary. The touchscreen glass has an anti-reflective coating, which results in a visually appealing and durable touchscreen ideal for industrial applications.

Status Indicators and UIB

Display computers with aluminum bezels have three status indicators and a UIB on the front panel. The status indicators provide a quick, at-a-glance view of the computer's status for system temperature, drive activity, and power. Complete descriptions of the indicators are shown in the table below.

The UIB provides users with an easy, one-click access to either the BIOS/UEFI upon startup or applications in the operating system (OS). The functionality can be configured to be any keystroke (up to three keystrokes) in the OS or can be disabled all-together. Configuration of this button is done in the BIOS/UEFI. See [User Interface Button \(UIB\) on page 76](#) for more information on configuring the UIB.



Item	Icon	Indicator	Status	Description
1	!	System health status	Red	The computer's temperature threshold has been exceeded.
			Off	System health is normal.
2	Cylinder icon	Drive access status	Green	HDD, SSD, or ODD activity.
			Off	No HDD, SSD, or ODD activity.
3	Power icon	Power status	Blue	The computer is operating.
			Amber	The computer is in Standby mode.
			Off	The computer is off.
4	UIB icon (square with triangle)	User Interface Button (UIB)	N/A	The UIB can be used as a programmable navigation button. Press during computer startup to access the UEFI. See User Interface Button (UIB) on page 76 for configuring the UIB.

Hardware Monitor and Watchdog Timer Utilities

The 6181P computer system images are provided with an integrated Hardware Monitor utility and a Watchdog Timer service. The utilities are available in the images but must be installed and enabled by the user.

Hardware Monitor

The Hardware Monitor is an integrated utility that runs on the OS. It monitors the computer temperature and views the system fan speed (if a fan is present). This utility is similar to what a user sees when running a third party program, such as SpeedFan.

Hardware Monitor has a default temperature threshold that can be adjusted by the user. Once the temperature threshold is selected and the service is running, the utility displays a pop-up message on the display, indicating that the computer has reached the selected temperature threshold. There is no action taken as a result of the pop-up and there are no event logs created.

Watchdog Timer

Watchdog timer is a utility that runs on the OS and ‘watches’ the system. If there is a program error or hardware malfunction that causes the OS to ‘hang,’ the watchdog timer times out and causes the system to automatically reboot. An event log is created after the system restarts because the computer experienced an incorrect shutdown sequence.

This utility is beneficial for situations where constant user interface is not possible, and it is desired to keep the computer up and running for visual and display purposes.

See [Watchdog Timer on page 77](#) for more information on configuring the watchdog timer.

Intel Active Management Technology (AMT) 9.0

Intel Active Management Technology (AMT) 9.0 is supported on 6181P computers with the Intel Core i7 Quad-core processor. AMT provides remote access and manages products through either the BIOS/UEFI or OS. By default, the 6181P computers are shipped with the AMT disabled. The user must enable it to take advantage of the remote management capabilities. For additional information on Intel AMT, visit <http://www.intel.com>.

See [AMT Configuration on page 74](#) for more information on configuring the AMT.

Intel Rapid Start Technology

Rapid Start can set up the computer for a quick resume into the OS from a deep sleep state in a matter of seconds. For additional information on Intel Rapid Start, visit <http://www.intel.com>.

IMPORTANT The SSD must first have a private partition allocated that is equal in size to the computer RAM.

See [Intel Rapid Start Technology on page 71](#) for more information on configuring Rapid Start.

Notes:

Installation

Chapter Objectives

This chapter provides information on the following topics:

- [Installation Precautions](#)
- [Installation Guidelines](#)
- [Mounting Clearance Requirements](#)
- [Computer Dimensions](#)
- [Required Tools](#)
- [Install the Computer](#)
- [Connect Peripherals](#)
- [Connect Power](#)
- [Functional Ground Screw](#)
- [Connect to a Network](#)

Review each mounting type and computer dimensions before installation.

Installation Precautions

Read and follow these precautions before installing the computer.

Environment and Enclosure Information



ATTENTION: This equipment is intended for use in a Pollution Degree 2 industrial environment, in overvoltage Category II applications (as defined in IEC 60664-1), at altitudes up to 2000 m (6561 ft) without derating.

This equipment is considered Group 1, Class A industrial equipment according to IEC/CISPR 22. Without appropriate precautions, there can be potential difficulties with electromagnetic compatibility in other environments due to conducted as well as radiated disturbance.

This equipment is UL Listed and supplied as an open type equipment. To meet some regulatory requirements, the computer must be mounted in an enclosure that is suitably designed for environmental conditions that can be present and appropriately designed to prevent personal injury resulting from accessibility to live parts. The enclosure must be accessible only by using a tool.

All 6181P display computers are shipped with a gasketed bezel to meet specified NEMA, UL Type, and IEC IP ratings only when mounted in a panel or enclosure with an equivalent rating.

In addition to this publication, see the following:

- Industrial Automation Wiring and Grounding Guidelines, publication [1770-4.1](#), for additional installation requirements
- NEMA 250 and IEC 60529, as applicable, for explanations of the degrees of protection provided by enclosures

European Union Directive

This computer meets the European Union Directive requirements when installed within the European Union or EEA regions and have the CE mark. A copy of the declaration of the conformity is available at <http://www.rockwellautomation.com/certification>.



ATTENTION: This computer is intended to operate in an industrial or control room environment, which uses some form of power isolation from the public low-voltage mains. Some computer configurations cannot comply with the EN 61000-3-2 Harmonic Emissions standard as specified by the EMC Directive of the European Union. Obtain permission from the local power authority before connecting any computer configuration that draws more than 75 W of AC power directly from the public mains.

To comply with EN 55024, the Ethernet port LAN cable must be used only indoors. All other I/O cables must be less than 3 m (9.84 ft) and used only indoors.

To comply with EN 55022 and EN 55024, use the following for cable types.

Cable Type	Required Attribute
LAN	Shielded or unshielded
USB	Shielded
Serial RS-232	Shielded
DVI	Shielded
DP	Shielded
VGA	Shielded
DC power	Unshielded
AC power	Unshielded ⁽¹⁾

(1) Use the AC power cord shipped with the computer.

Installation Guidelines

Follow these guidelines to make sure your computer provides safe and reliable service:

- The installation site must have sufficient power.



ATTENTION: To maintain an electrically safe installation, AC powered computers must be plugged into a grounded outlet.

- In dry environments, static charges can build up easily. Proper grounding of the computer helps to reduce static discharges, which can cause shock and damage electronic components.
- The enclosure must allow sufficient space around air inlets and outlets to provide the circulation necessary for cooling. See [Mounting Clearance Requirements on page 24](#) for further information. Never allow air passages to become obstructed.
- The ambient air temperature must not exceed the maximum operating temperature specified in [Table 13 on page 110](#). Consider a user-supplied fan, heat exchanger, or air conditioner for heat generated by other devices in the enclosure.

TIP Hot air rises. The temperature at the top of the enclosure is often higher than the temperature in other parts of the enclosure, especially if air is not circulating.

IMPORTANT The computer can operate at a range of extremes. However, the life span of any electronic device is shortened if you continuously operate the computer at its highest rated temperature.

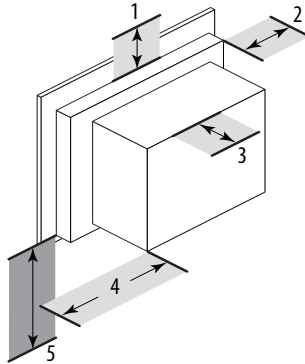
- The humidity of the ambient air must not exceed limits specified in [Table 13 on page 110](#) and must avoid condensation.
- The enclosure or cover must remain in place at all times during operation. The cover provides protection against high voltages inside the computer and inhibits radio-frequency emissions that can interfere with other equipment.

Mounting Clearance Requirements

IMPORTANT Because of self-heating, do not operate the computer in an enclosure with the minimum clearances unless adequate ventilation or other cooling methods are used to lower the temperature within the enclosure.

Allow enough clearance to easily install or remove internal drives, optical discs, cables, and peripheral components.

Figure 6 - Minimum Clearances



Item	Description	Value
1	Top	50 mm (2 in.)
2	Left (for airflow)	50 mm (2 in.)
3	Rear	50 mm (2 in.)
4	Right (for airflow and drive access)	127 mm (5 in.)
5	Bottom (for I/O port access and ventilation)	102 mm (4 in.)

Right and left are based on facing the front of the computer.

Computer Dimensions

Review computer dimensions to estimate the clearance necessary for computer installation. Dimensions are given in mm (in.).

Figure 7 - Non-display Computer

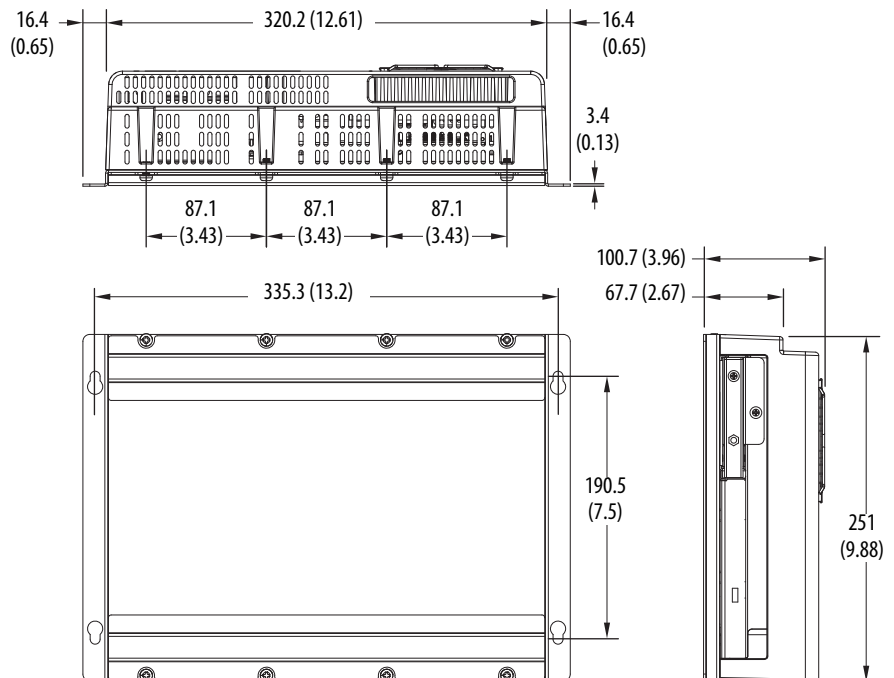


Figure 8 - 1200P (12-inch) Standard Display Computer

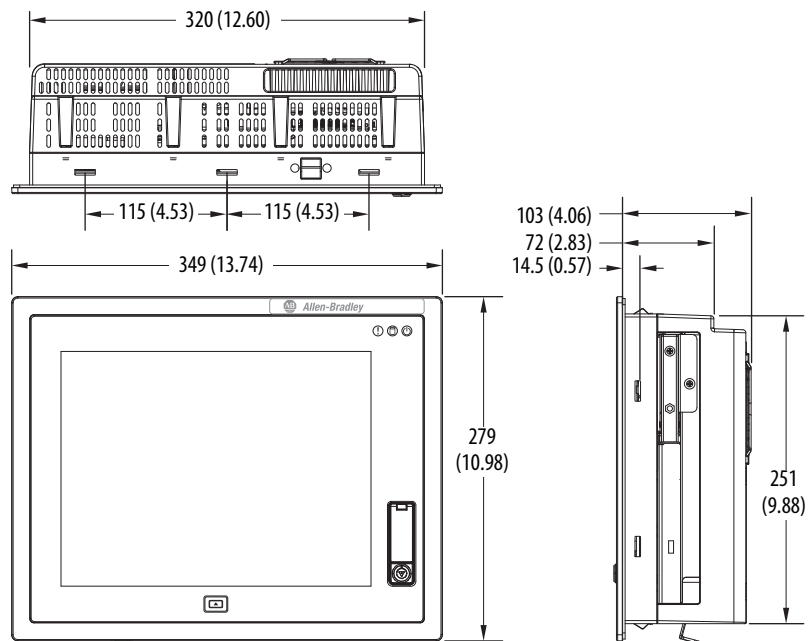


Figure 9 - 1500P (15-inch) Standard Display Computer

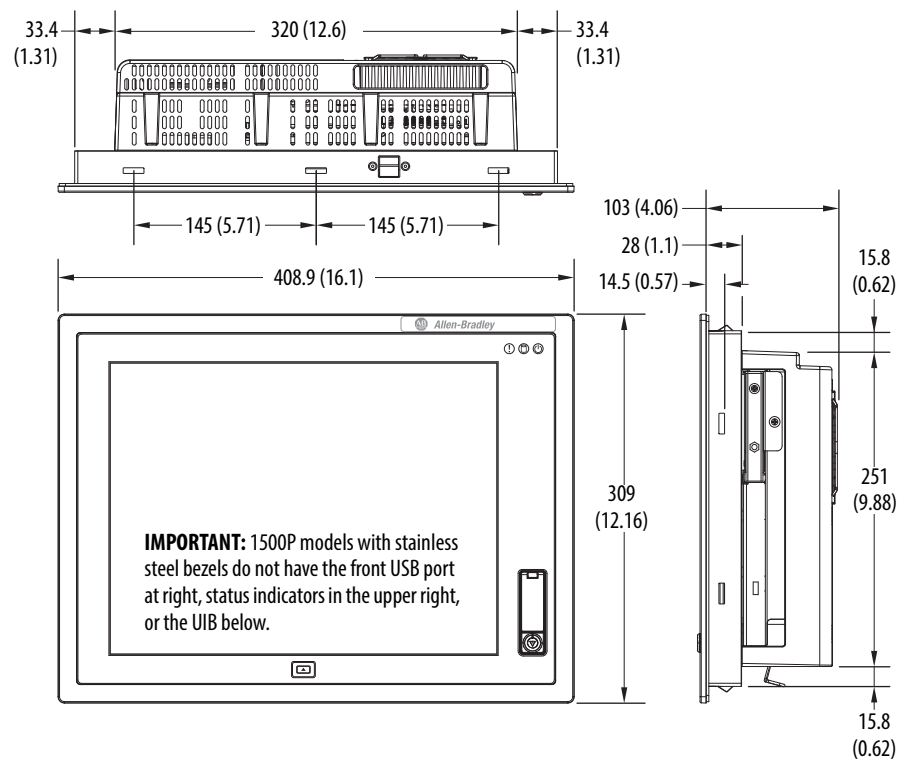


Figure 10 - 1500P (15-inch) Widescreen Display Computer

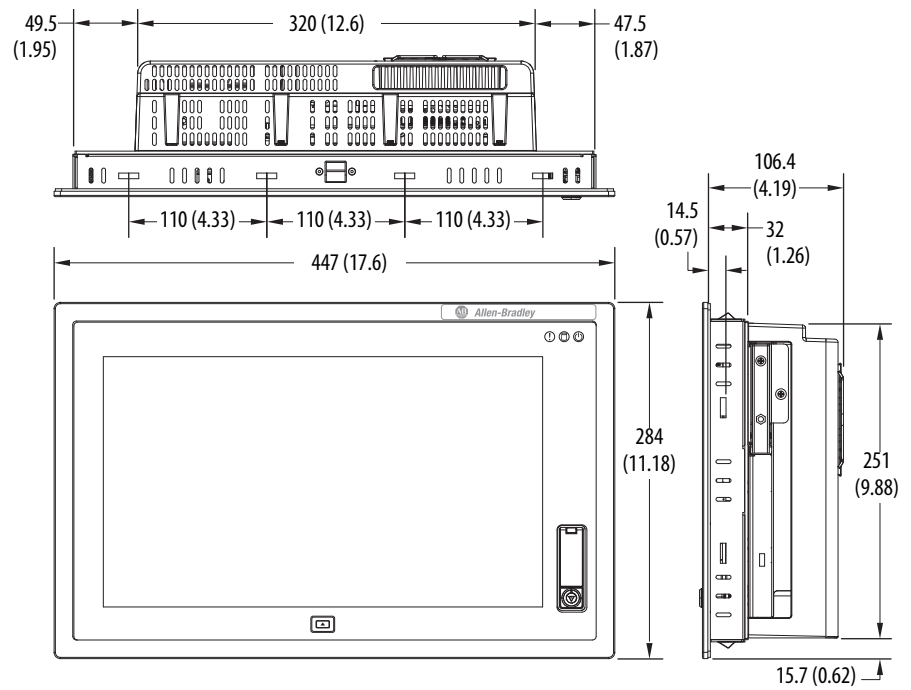


Figure 11 - 1700P (17-inch) Standard Display Computer

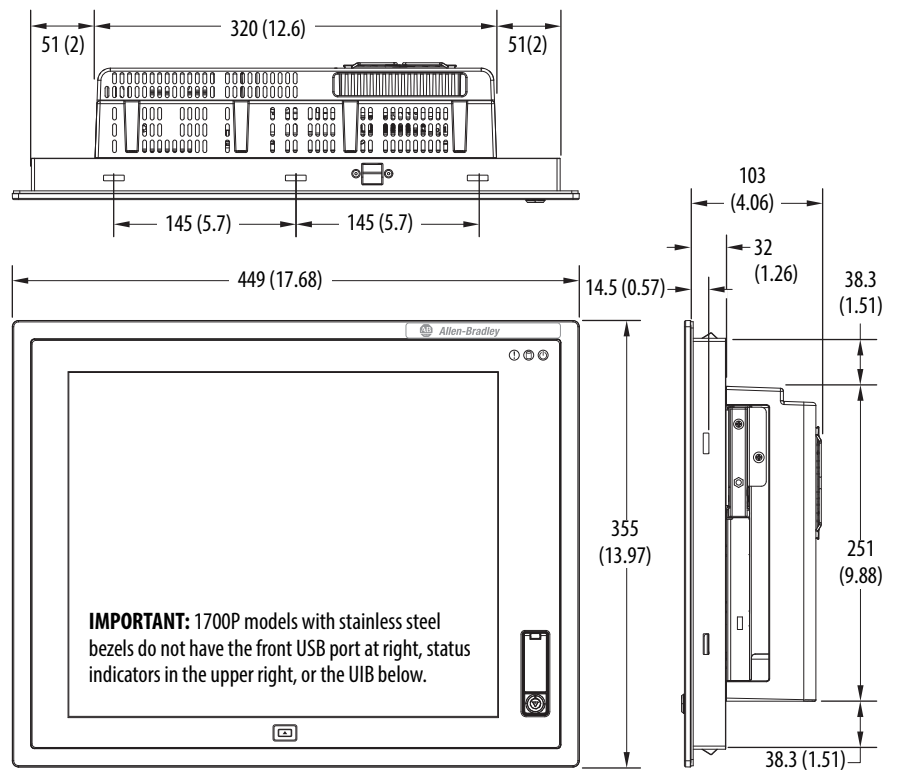


Figure 12 - 1900P (19-inch) Standard Display Computer

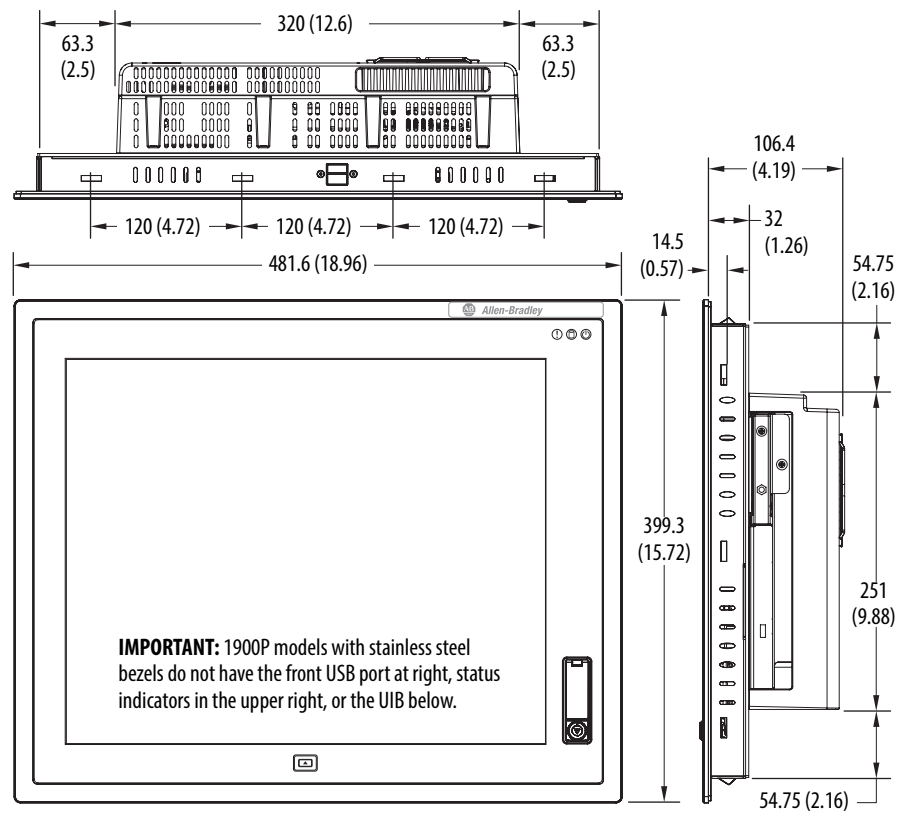
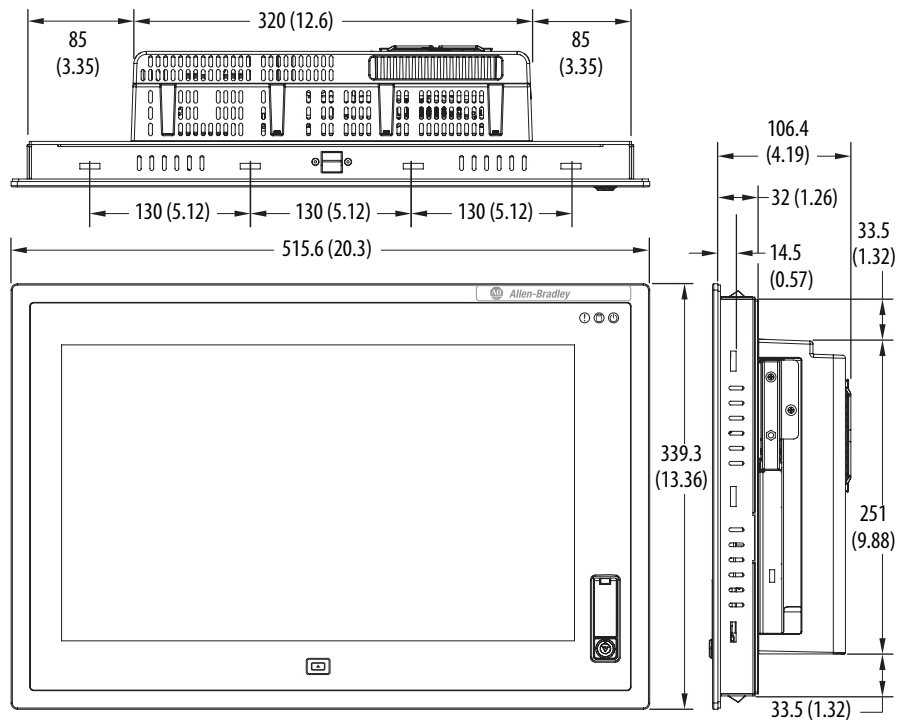


Figure 13 - 1900P (19-inch) Widescreen Display Computer



Required Tools

These tools are required for computer installation:

- #2 cross-head screwdriver
- Panel cutout tools (for panel mounting)
- Drill motor and drill bit (for wall, machine, and table mounting)
- Antistatic wrist strap

Install the Computer

The computers support the following mounting options:

- Panel mount (display computer models)
- Wall, machine, table, and bookshelf mounts (non-display computer models)

Panel Mounting Guidelines

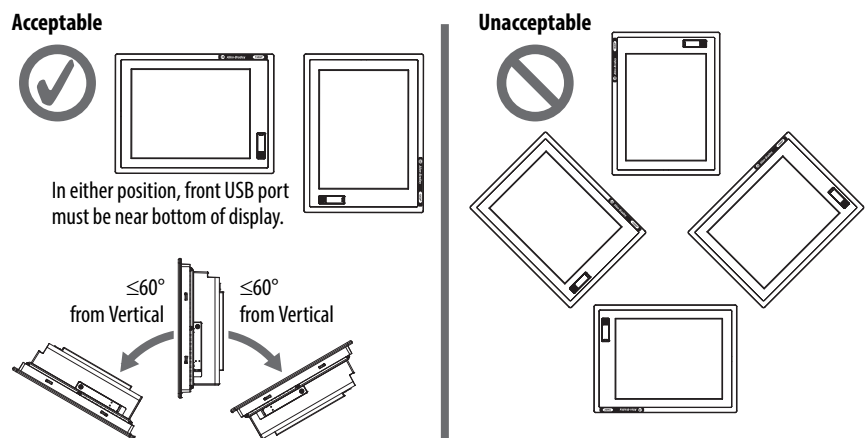
Observe these guidelines when installing the computer in a panel:

- Remove all electrical power from the panel before making the cutout.
- Confirm that there is adequate space behind the panel. For specific information, refer to [Mounting Clearance Requirements](#) on [page 24](#).
- Cut supporting panels to specifications before installation. Take precautions so metal cuttings do not enter components already installed in panel.

Supporting panels must be at least 14 gauge for proper sealing against water and dust and to provide proper support. The mounting hardware supplied accommodates panel thickness between 1.5...5.5 mm (0.06...0.22 in.).

- Make sure the area around the panel cutout is clear.
- Certain restrictions apply when mounting a display computer in a panel. See [Figure 14](#) for details.

Figure 14 - Acceptable and Unacceptable Mounting Positions for Display Computers

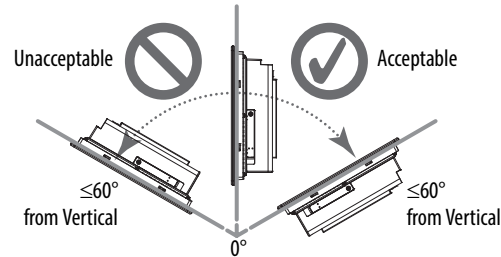


ATTENTION: Failure to follow these guidelines can result in personal injury or damage to the panel components.

- Display computers have mounting-assist clips on the top and bottom of the bezel. When the computer is placed into a panel cutout, the mounting-assist clips snap into place and hold the computer in position while you install the mounting clips.

Certain restrictions apply when using mounting-assist clips. See [Figure 15](#) for details.

Figure 15 - Acceptable and Unacceptable Mounting Positions for Using Assist Clips



ATTENTION: The mounting-assist clips on display computers are no substitute for the mounting clips. You must install the mounting clips for safety, NEMA, UL Type, and IEC IP compliance.

Failure to follow these guidelines can result in personal injury or damage to the panel components.

Panel Cutout Dimensions

A cutout template is shipped with each display computer model. 6181P and 6181X Integrated Display Industrial Computers Cutout Template, publication [6181P-DS002](#), is included with standard display models (4:3 and 5:4 aspect ratios). 6181P Integrated Display Industrial Computers Cutout Template, publication [6181P-DS003](#), is included with widescreen display models (16:9 aspect ratio).

The computers must be mounted to meet the panel cutout dimensions specified below.

Model	Cutout Dimensions (H x W), approx	
	Standard Models	Widescreen Models
1200P	254.0 x 324 mm (10.0 x 12.76 in.)	—
1500P	285.6 x 386.6 mm (11.24 x 15.22 in.)	260.2 x 420 mm (10.24 x 16.54 in.)
1700P	329.5 x 424 mm (12.97 x 16.69 in.)	—
1900P	363.5 x 449.6 mm (14.31 x 17.7 in.)	321 x 493 mm (12.64 x 19.41 in.)

Mount the Display Computer in a Panel

Mounting clips secure the display computer to the panel. The number of clips varies by model.

Model	Bezel	Clips (qty.)	Cat. No.	Description
1200P Standard	Aluminum	10	6189V-MCLP53	Replacement mounting clips (14)
1500P Standard				
1500P Widescreen		12		
1700P Standard		10		
1900P Standard		14		
1900P Widescreen				
1500P	Stainless steel	10		
1700P		12		
1900P		14		

Follow these steps to mount the computer in a panel.

1. Remove power from the panel.
2. Verify that the panel surface around the area to be cut is clean and free of debris.



ATTENTION: Take precautions so metal cuttings do not enter components already installed in panel to avoid personal injury or damage to the panel components.

3. Cut an opening in the panel by using the appropriate panel cutout dimensions.
4. Attach cables to the computer before installation if rear access to the computer is limited after installation.

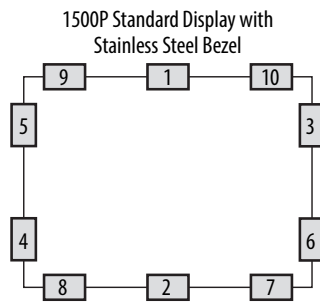
For where to attach cables, see [Connect Peripherals on page 33](#).

AC power models: If necessary, remove the AC retention clip before installing the computers in a panel cutout. Reattach the clip after installing the computer.

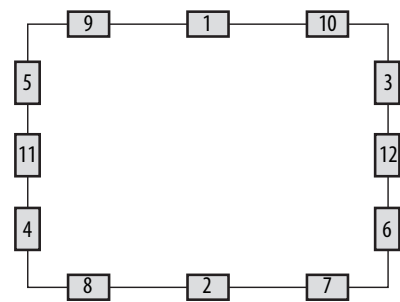
5. Make sure the sealing gasket is properly positioned on the computer.
This gasket forms a compression-type seal. Do not use sealing compounds.
6. Place the computer in the panel cutout.
7. Slide the mounting clips into the holes on the top, bottom, and sides of the computer.

8. Hand-tighten the mounting clips around the bezel by following the tightening sequence below.

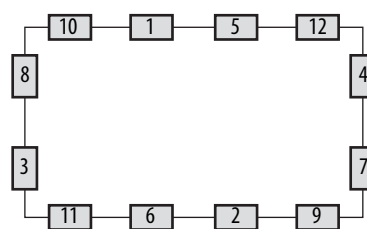
All Standard (4:3 and 5:4) Display Models with Aluminum Bezel except 1900P Display



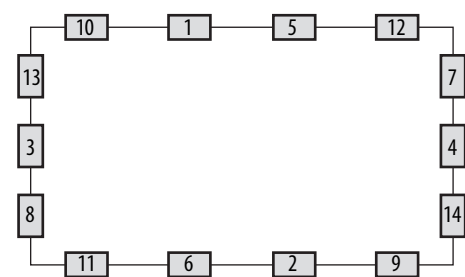
1700P Standard Display with Stainless Steel Bezel



1500P Widescreen (16:9) Display



All 1900P Standard and Widescreen Display Models



9. Repeat this process at least three times until the clips are hand-tight and the gasket is compressed uniformly against the panel.
10. Tighten the mounting clips to a torque of 1.35 N•m (12 lb•in) by following the torquing sequence on the previous page, making sure to not overtighten.
11. Repeat this process at least three times until the clips are properly torqued, making sure the gasket is compressed uniformly against the panel.



ATTENTION: Tighten the mounting clips to the specified torque to provide a proper seal and prevent damage to the product. Rockwell Automation assumes no responsibility for water or chemical damage to the computer or other equipment within the enclosure because of improper installation.

Mount the Non-display Computer

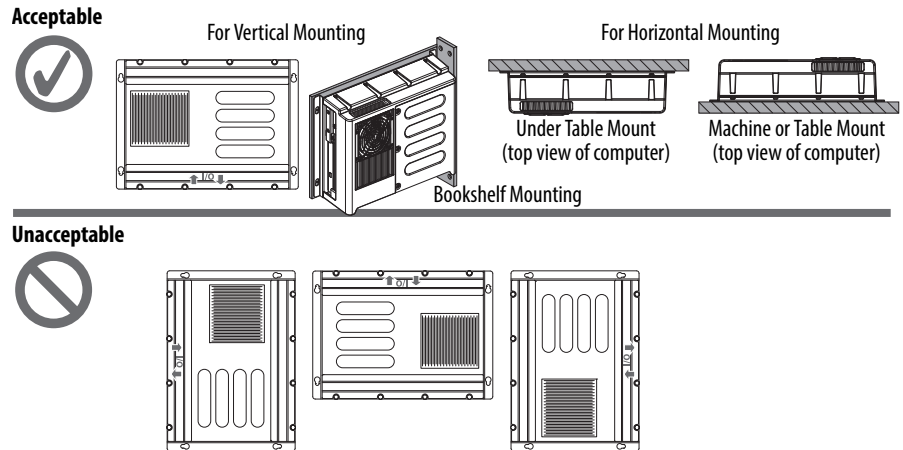
Follow these steps to mount a non-display computer.

IMPORTANT Certain restrictions apply when mounting the computer to a wall or with a bookshelf mounting bracket. See [Figure 16](#) for details.
 The bookshelf mounting bracket, catalog number 6189V-BOOKBRKT, must be ordered separately.
 For horizontal mounting, see [page 24](#) for mounting clearance requirements.

1. Verify that the power is disconnected.
2. Depending on your application, drill holes to accommodate M5-sized screws.
 See [Figure 7 on page 24](#) for mounting hole locations and dimensions.
3. Mount the computer by using four M5 pan head screws.

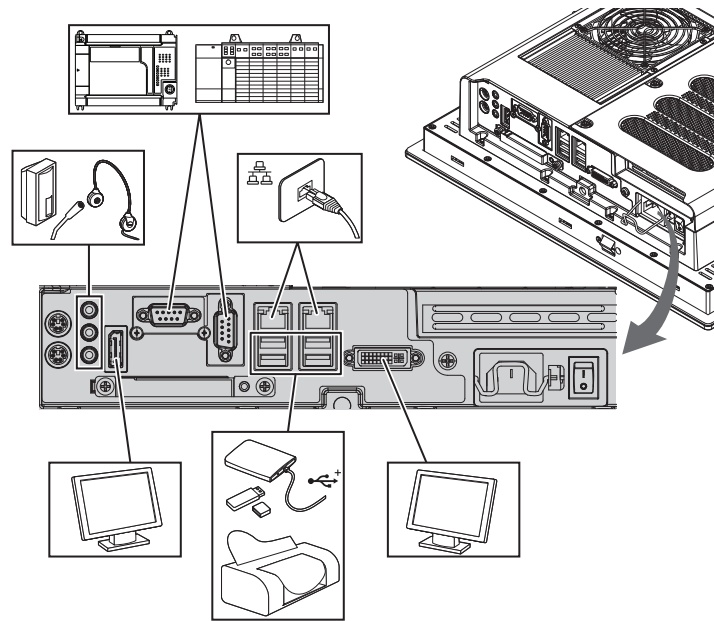
Tighten to a torque that is appropriate for the screw and material.

Figure 16 - Acceptable and Unacceptable Mounting Positions for Non-display Computers



Connect Peripherals

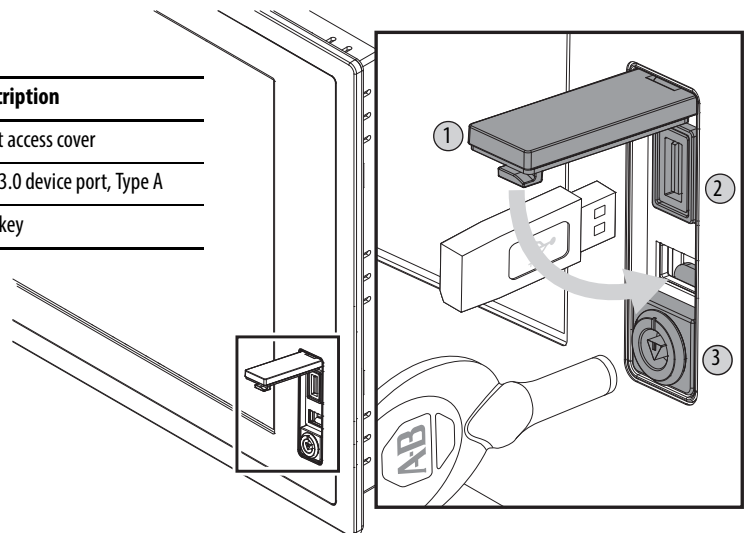
The following illustration shows the I/O port panel of the computers. Peripheral components compatible to each port are inside the callout figures.



Display computer models with aluminum bezels have USB ports on both the I/O port side panel and the front panel. Use these ports to connect various USB devices to the computer, such as an external drive.

All USB ports are enabled or disabled through settings in the UEFI set-up menu. See [USB Configuration on page 69](#) for more information.

No.	Description
1	Front access cover
2	USB 3.0 device port, Type A
3	USB key



Connect Power

The computer connects to either a 100...240V AC or 18...32V DC power source, depending on the model.



ATTENTION: When connecting power to the computer for the first time, the following actions occur:

- The default UEFI setting automatically starts the computer after it is plugged into a power source.
- You must read and accept an End User Setup procedure for computers with a Windows operating system.

Do not disconnect power from the system until after the Windows Setup procedure is completed. Disconnecting power during this procedure can result in a corrupted system image.

Operate the computer in an industrial or control room environment, which uses some form of power isolation from the public low-voltage mains.



ATTENTION: Supply the computer circuit with its own disconnect. Use an uninterruptible power source (UPS) to protect against unexpected power failure or power surges.

Always shut down the Windows operating system before disconnecting power to the computer to minimize performance degradation and operating system failures.

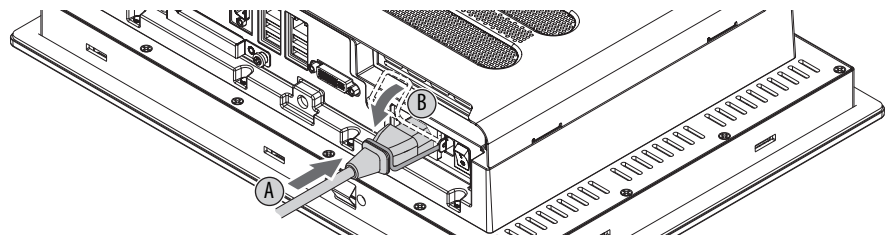
Connect AC Power

A grounded, 3-prong IEC60320-C13 power cord provides power to the computer. The power supply input accepts 100...240V AC and is autoranging.

TIP If using an alternate IEC60320 cord, make sure the female end of the cord is sized appropriately for the retention clip.

Follow these steps to connect the computer to an AC power source.

1. Connect the power cord to the AC power input (A).
2. Secure the power cord in place with the retention clip (B).



3. Connect the AC power cord to a power source.



SHOCK HAZARD: Connect the AC power cord to a power source with an earth ground. Failure to follow this warning can result in electrical shock.

4. Apply 100...240V AC power to the computer.

Connect DC Power

Computers with catalog numbers ending in DC have a DC input terminal block for connecting to a 18...32V DC power source.

The functional ground screw is required to be grounded on DC power models for EMC regulatory compliance. DC power models support operation from either a SELV or PELV power source. The DC common (DC-) can be connected together to the functional ground screw to support some SELV cases where grounding at the computer is required by the end user.

The power supply is internally protected against reverse polarity.

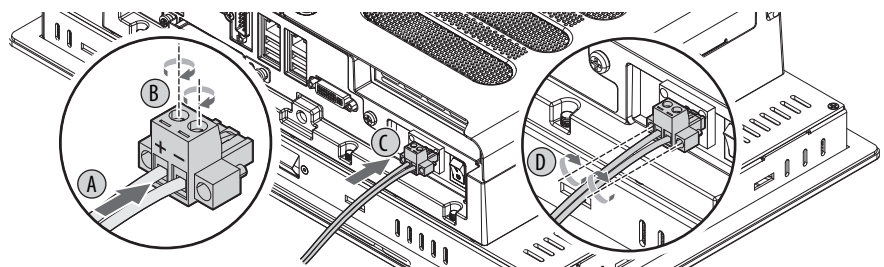


ATTENTION: Use a Class 2/SELV isolated and ungrounded power supply as input power to the computer. This power source provides protection so that under normal and single fault conditions, the voltage between the conductors and Functional Earth/Protective Earth does not exceed a safe value.

Follow these steps to connect the computer to a DC power source.

IMPORTANT A functional ground screw connection is required for EMC compliance.

1. Turn off the main power switch or breaker.
2. Verify that the DC power wires meet these requirements:
 - Material: Stranded copper
 - Wire gauge: 0.326...3.31 mm² (22...12 AWG)
3. Insert each DC power wire into the correct terminal-block on the DC power adapter (A).
4. Secure the DC power wires to the DC power adapter's terminal-block screws (B).
5. Connect the DC power adapter to the power supply terminal block (C).
6. Secure the DC power adapter into place with the terminal-block screws (D).
Torque the terminal screws to 0.687 N•m (6.1 lb•in).
7. Connect the computer to earth ground by using a 1.5 mm² (16 AWG) or larger external wire.
Use a ground wire with green insulation and a yellow stripe for easy identification.
8. Apply 18...32V DC power to the computer.



Functional Ground Screw

Functional ground screw requirement depends on the power source.

If using the functional ground screw, connect the computer to earth ground by using a 1.5 mm² (16 AWG) or larger external wire. Use a ground wire with green insulation and a yellow stripe for easy identification.

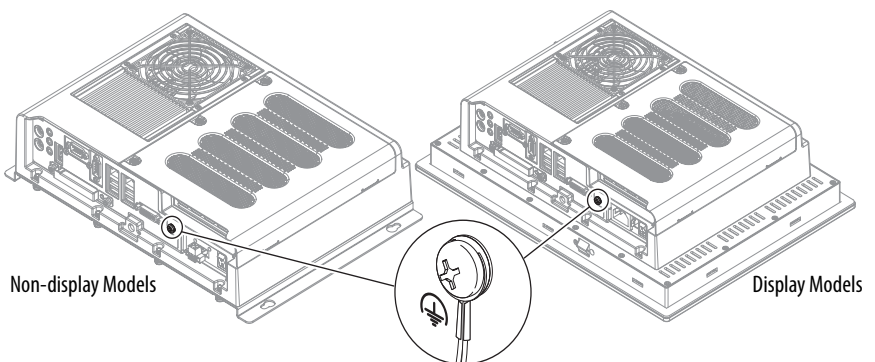
AC Power Models

The pre-installed functional ground screw is not required for safety or regulatory compliance. AC power models are already grounded through the AC power cord. However, if a supplemental ground is required, use the functional ground screw in the I/O port panel of the computer.

DC Power Models

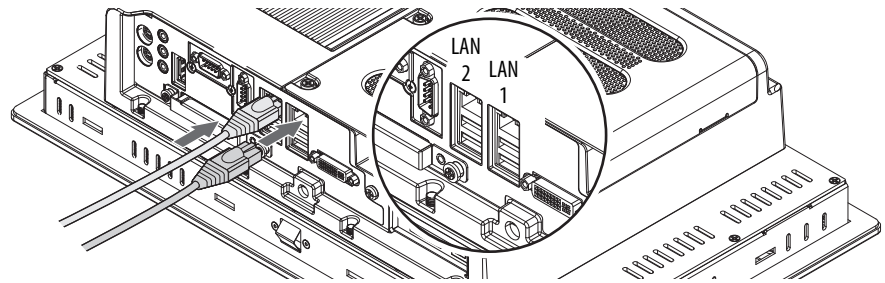
The pre-installed functional ground screw is not required for safety but is required for EMC regulatory compliance.

Figure 17 - Functional Ground Screw Location



Connect to a Network

The computers have two 1 GB LAN ports that connect to an Ethernet network by using CAT5 or CAT5e twisted-pair Ethernet cabling with RJ45 connectors.



IMPORTANT To prevent performance degradation of Ethernet communication, do not subject the computer or cables to extreme radiation or conducted high-frequency noise.

Proper cable routing and power conditioning is required for reliable Ethernet communication in industrial environments. We recommend that you route all Ethernet cabling through dedicated metal conduits. Installing ferrite bead filters at the cable ends can also improve reliability.

The LAN 1 port supports AMT functionality for computers with the Intel i7 processor (Tier 3 models) that are configured for AMT.

See [AMT Configuration on page 74](#) for more information.

The LAN 2 port supports VMWARE ESXi communication.

IMPORTANT Rockwell recommends selecting the Public Network option when prompted during the set-up process to provide the most secure network connection. However, the user is ultimately responsible for choosing the most appropriate network security settings.

Notes:

Operation

Chapter Objectives

This chapter provides information on the following topics:

- [Operating Guidelines](#)
- [Touchscreen Precautions](#)
- [Start the Computer](#)
- [Restart the Computer](#)
- [Shut Down the Computer](#)
- [Adjust the Display Brightness](#)

Operating Guidelines

Follow these operating guidelines for your computer:

- Operator access is limited to the front of the computer, which includes the display and the touchscreen (if available).

IMPORTANT Access to components behind the panel where the computer is installed and the front USB port (if available) is restricted to authorized and properly trained personnel.

- When mounted in an enclosure, keep the enclosure door closed during operation so dust and other airborne contamination do not infiltrate the computer. Open the door only for routine maintenance.
- Do not operate the computer with the covers removed. Removing the covers disrupts air flow and results in overheating.



SHOCK HAZARD: All covers are required to maintain EMI shield.

- Always use the proper power down procedures as required by your operating system, such as the Shut Down command in the Microsoft Windows operating system.
- After shutting down the computer, do not apply power again until shutdown is complete.

For computers with a HDD, the HDD must come to a complete stop, which can take up to 30 seconds after shutdown is initiated.

Touchscreen Precautions



WARNING: If the LCD screen darkens or if the backlight is not functioning properly, the screen may be difficult to read and use of this screen could result in a potentially hazardous outcome. Do not use the LCD touch screen under these circumstances.

The design of the system must take into account the possibility of the LCD screen or LCD touch screen losing functionality and unable to be used to maintain or change control of the system. The touch screen shall not be the single point of control of critical functions and is not intended to replace an E-Stop.

Design of the system should follow all applicable code and good engineering practice. Factors to consider include the following:

- The possibility of an unreadable LCD screen
- The possibility of an inoperable touch screen
- Unexpected communication errors or delays
- Operator error in the control of the system
- Proper use of E-Stops and other safety practices

The user shall provide means to achieve a safe state during anomalies and ensure the system has adequate redundancy for critical functions.

Failure to follow these instructions can result in death, serious injury, or equipment damage.

Start the Computer

Follow these steps to start the computer.

IMPORTANT The following steps apply to when the computer must be manually started. See [Connect Power on page 34](#) for when power is applied to the computer for the first time.

1. Make sure any connected components with separate power supplies (such as an external display) are turned on first.
2. Make sure all necessary peripheral devices are connected to the corresponding I/O ports on the computer.
3. Install power to the power input of the computer.

AC powered models: See [Connect AC Power on page 34](#) for how to install the AC power cord into the AC power input on the computer.

DC powered models: See [Connect DC Power on page 35](#) for how to install DC power to the DC power input on the computer.

4. Apply power to the computer.

AC powered models: Plug the AC power cord into a power source or wall outlet.



SHOCK HAZARD: Connect the AC power cord to a power source with an earth ground. Failure to follow this warning can result in electrical shock.

DC powered models: Apply 18...32V DC power to the computer.

5. Press the computer's power switch.

See [Hardware Features on page 13](#) for power switch location.

The computer performs certain actions when it is started or reset. See [Restart the Computer on page 41](#) for what is done.

If your system does not start or you notice other anomalies, refer to the [System Troubleshooting](#) starting on [page 89](#).

Restart the Computer

Use any of the following methods to restart your computer.

- From the Start menu, choose Restart.
- Press Ctrl+Alt+Delete on an attached keyboard and click Restart.
- Use AMT commands (only for Tier 3 computers; see [page 11](#) to see if your computer qualifies and [page 74](#) for more about AMT configuration).

During a restart, the computer does the following:

- Clears the RAM.
- Starts the POST.
- Initializes peripheral devices such as drives and printers.
- Loads the operating system.

Use the computer display to view the progress of the POST, the initialization of accessory devices, and the start-up dialogs for the operating system that is installed.

Shut Down the Computer

Use either of the following methods to shut down the computer.

Method	Actions
Windows OS	With an attached mouse and keyboard, do one of the following. <ul style="list-style-type: none"> • Press CTRL+ALT+DEL and click Shut Down. • From the Start menu, click or choose Shut Down from the pull-down menu.
Power switch	Momentarily press the power switch to shut down the computer. See Hardware Features on page 13 for the power switch location.

Adjust the Display Brightness

Display computers have an adjustable display brightness setting that can be adjusted in the BIOS/UEFI or in the Windows operating system. The display brightness default setting is 70%.

See [Chipset on page 75](#) for how to adjust the brightness through the BIOS/UEFI.

IMPORTANT Increasing the brightness from the default setting reduces the life of the LED backlight, particularly at high temperatures.

Component Replacement

Chapter Objectives

This chapter provides information on the following topics:

- [Accessories and Replacement Parts](#)
- [Voltage Precautions](#)
- [Electrostatic Discharge Precautions](#)
- [Pre-configuration](#)
- [Post-configuration](#)
- [Required Tools](#)
- [Remove the Cover](#)
- [Reinstall the Cover](#)
- [CompactFlash Card](#)
- [Drive Precautions](#)
- [Replace a Drive](#)
- [Replace or Add Memory Modules](#)
- [Replace the RTC Battery](#)
- [Replace the Power Supply Unit](#)

Accessories and Replacement Parts

You can view a list of accessories and replacement parts at the following Rockwell Automation website: <http://ab.rockwellautomation.com/Computers>.

Review the specifications of a new component before installing it to make sure it is compatible with the computer. Record the model and serial number, and any other pertinent information of new components for future reference.

IMPORTANT We recommend that you use only Allen-Bradley approved accessories and replacement parts.

Voltage Precautions

The computers contain line voltages. Disconnect all power to the computer before you install or remove components.



SHOCK HAZARD: Disconnect all power to the computer before removing components.

Failure to disconnect power can result in severe electrical shock to an individual or electrostatic discharge (ESD) damage to the computer and components.

Electrostatic Discharge Precautions



ATTENTION: Electrostatic discharge (ESD) can damage static-sensitive devices or microcircuitry:

- Disconnect all power before working on the computer as detailed in [Voltage Precautions on page 43](#).
 - Observe proper packaging and grounding techniques to prevent damage.
-

Follow the precautions listed below:

- Transport the computer and replacement parts in static-safe containers, such as conductive tubes, bags, or boxes.
- Keep electrostatic-sensitive parts in their containers until they arrive at the designated static-free work area.
- Cover the designated work area with approved static-dissipating material:
 - Use an antistatic wrist strap connected to the work surface.
 - Use properly grounded tools and equipment.
- Keep the designated work area free of nonconductive materials, such as ordinary plastic assembly aids and foam packing.
- Avoid touching pins, leads, or circuitry.
- Always hold components with a printed circuit board (PCB) by its edges and place it with the assembly side down.

Pre-configuration

IMPORTANT When installing hardware or performing maintenance procedures that require access to internal components, we recommend that you first back up all computer data to avoid loss.



ATTENTION: Make sure to read and understand all installation and removal procedures before you begin configuring the computer hardware.

Follow these steps before removing the cover or replacing a hardware component.

1. Shut down the computer and all peripherals connected to it.
2. Disconnect all cables from power outlets to avoid exposure to high energy levels.
If necessary, label each cable to expedite reassembly.
3. Disconnect telecommunication cables to avoid exposure to a shock hazard from ringing voltages.

Post-configuration

Follow these steps after installing or removing a hardware component.

1. Make sure all components are installed according to instructions.
2. Make sure that no tools or loose parts are left inside the computer.
3. Reinstall any expansion boards, peripherals, and system cables that were previously removed.
4. Reinstall the cover according to the instructions on [page 46](#).
5. Reconnect all external cables and power to the computer.
6. Press the computer's power switch to start the computer.

Required Tools

The following tools are required for component replacement:

- #2 cross-head screwdriver
- Antistatic wrist strap
- Side cutters (for cutting cable ties, if necessary)

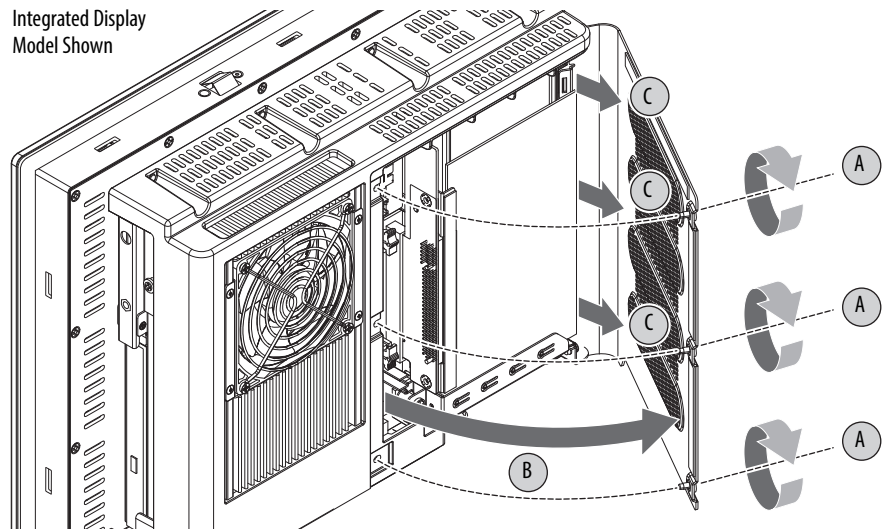
Remove the Cover

To install, replace, or upgrade internal computer components, you must first remove the cover.

Follow these steps to remove the rear cover (a display computer is shown).

1. Follow the steps for [Pre-configuration on page 44](#).
2. Loosen the three screws that secure the rear cover (A).
3. Open the cover (B) and detach it from the chassis (C).

Integrated Display
Model Shown



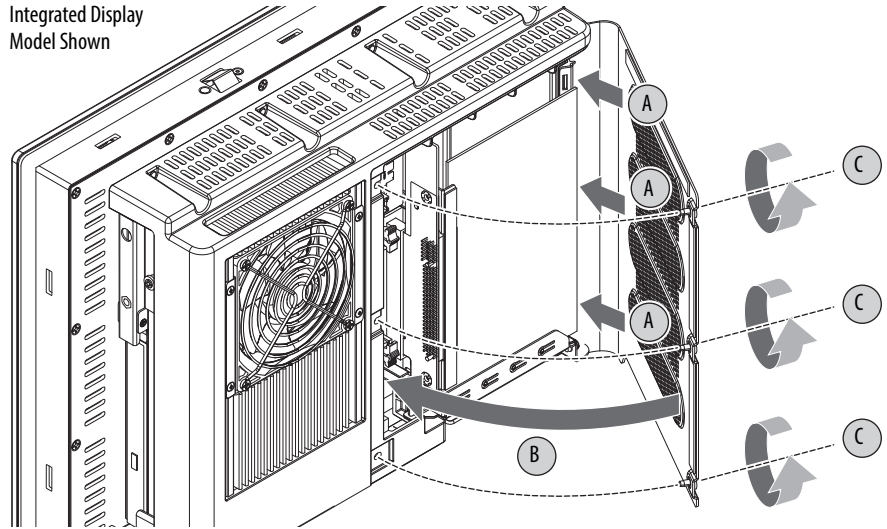
4. After installing, replacing, or upgrading internal computer components, reinstall the cover as detailed in [Reinstall the Cover on page 46](#).

Reinstall the Cover

Follow these steps to reinstall the rear cover (a display computer is shown).

1. Follow steps 1...3 for [Post-configuration on page 45](#).
2. Reattach the rear cover to the chassis (1).
3. Close the cover (2).
4. Tighten the three screws to secure the rear cover (3).

Integrated Display
Model Shown



5. Follow steps 4 and 5 for [Post-configuration on page 45](#).

CompactFlash Card

The computers have a CompactFlash (CF) Type II card slot for loading CF cards on the I/O port panel below the serial ports. See [Hardware Features](#) starting on [page 13](#) for the CF card slot location.

IMPORTANT The CF card slot is a bootable slot for DOS and Linux operating systems but not for Windows operating systems.

You can insert or remove a FAT32 formatted CF card from this slot while the computer is on. For a NTFS formatted CF card, use the Windows 'Safely Remove/Eject Media' process.

Follow these steps to load a CF card.

1. Loosen the two screws that secure the CF card slot cover.
2. Remove the CF card slot cover.
3. Insert the CF card into the slot until it is firmly seated.



ATTENTION: When properly seated, more than 80% of the CF card easily inserts into the slot before you encounter resistance. If you encounter resistance before then, remove the card, rotate it 180°, and reinsert. Do not force the card into the slot. Forcing the card into the slot can damage the connector pins.

4. Reattach the CF card slot cover.
5. Tighten the two screws to secure the slot cover.

Drive Precautions

Follow these precautions when working with a drive.

IMPORTANT Back up or clone your computer before replacing a drive.
See [AMI Rescue on page 83](#) for more information on backing up your system image.

- Do not touch internal components.
- Always handle the drive by its frame.
- Do not remove or install a drive with the power on except in circumstances allowed by the operating system.
- Store the drive in an antistatic bag when it is not installed.



SHOCK HAZARD: Electrostatic discharge (ESD) can damage the computer and components. Read and follow [Electrostatic Discharge Precautions on page 44](#) before removing a drive.

Failure to follow proper safety precautions can result in severe electrical shock to an individual or ESD damage to the computer and its components.



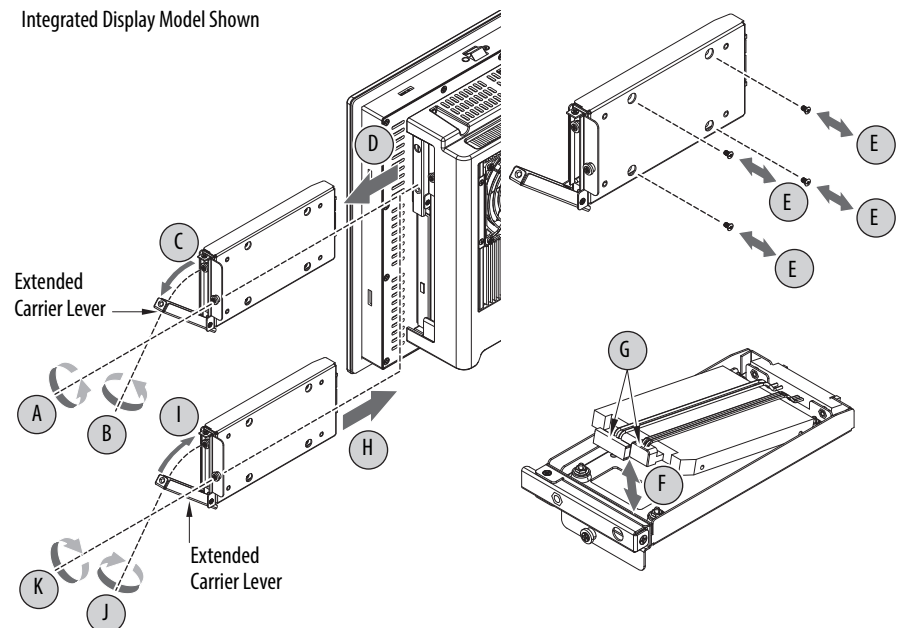
ATTENTION: Mechanical shock can damage a drive. Do not drop or bump the drive.

Replace a Drive

Follow these steps to replace a drive (HDD or SSD), which is on the side of the computer.

1. Read and follow [Drive Precautions on page 47](#) before performing any drive removal.
2. Follow the steps for [Pre-configuration on page 44](#).
3. Remove the one screw that secures the drive assembly (A).

Integrated Display Model Shown

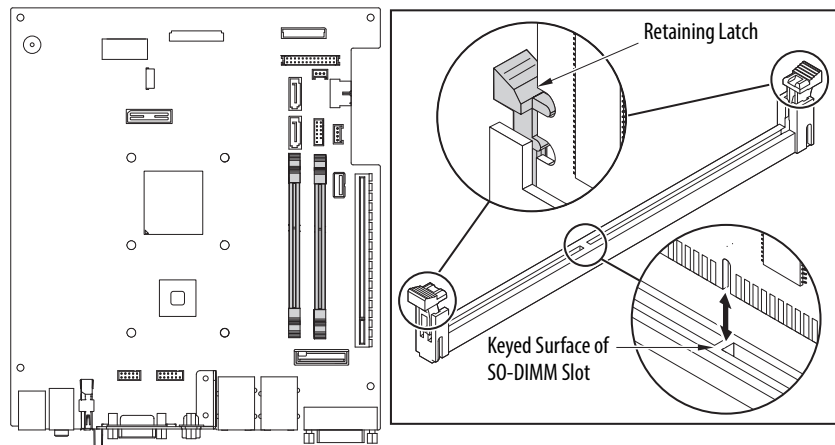


4. Loosen the screw to release the carrier lever (B).
5. Extend the carrier lever (C), then use it to slide the assembly out of the drive bay (D).
6. Remove the four screws that secure the drive to its carrier (E).
7. Lift the cable connector end of the drive (F) and disconnect the power and data cables (G).
8. Remove the existing drive from its carrier.
9. Hold the new drive by its edge and remove it from its protective packaging.
10. Align the new drive on the carrier (F).
11. Connect the power and data cables to the drive (G).
12. Secure the new drive to the carrier with the four screws (E).
Torque the screws to 0.452 N•m (4 lb•in).
13. Use the extended carrier lever to slide the assembly into the drive bay (H).
14. Retract the carrier lever (I) and tighten its screw to lock in place (J).
15. Secure the drive assembly with the one screw (K).
16. Follow the steps for [Post-configuration on page 45](#).

Replace or Add Memory Modules

The computers have two dual-channel DDR3 SO-DIMM slots that support up to 16 GB maximum system memory.

Figure 18 - Memory Module Slots and Module Alignment



IMPORTANT Computer performance is optimized with both memory module slots populated.
All 6181P computers ship with a dual memory module configuration.

Memory Configuration Guidelines

Follow these guidelines when replacing or adding memory to the computers:

- Use only standard unbuffered memory modules that conform to both PC3-10600 and SPD compliance industry standards.
- Use only DDR3 type memory modules.
- Use only memory modules with gold-plated contacts.
- Always handle a memory module by its edges.

IMPORTANT We recommend that you use only Allen-Bradley approved memory modules. Refer to <http://ab.rockwellautomation.com/Computers> for qualified replacement parts and accessories.

Replace or Add a Memory Module

Follow these steps to replace or add a memory module.

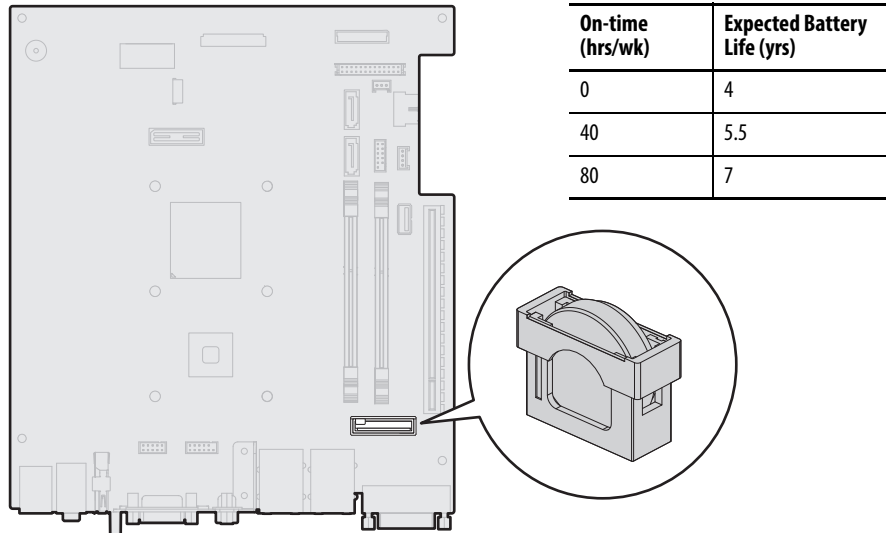
IMPORTANT Use an antistatic wrist strap connected to the work surface, and properly grounded tools and equipment.

1. Follow the steps for [Pre-configuration on page 44](#).
2. Remove the computer cover as detailed in [Remove the Cover on page 45](#).
TIP To install additional memory, proceed to [step 4](#) of this section.
3. Remove the selected memory module.
 - a. Completely open the retaining latches to release the memory module from its slot and make it easier to remove. See [Figure 18 on page 48](#).
 - b. Gently pull out the memory module to remove it from its slot.
 - c. Place the memory module on a static-dissipating work surface or inside an antistatic bag.
4. Install the new memory module.
 - a. Hold the memory module by its edges as you remove it from its antistatic bag.
 - b. Orient the module so the notch on its bottom edge aligns with the keyed surface of the SO-DIMM slot. See [Figure 18 on page 48](#).
TIP The keyed surface is off center to assist the correct alignment.
 - c. Press the module fully into the slot to engage the retaining latches. See [Figure 18 on page 48](#).
5. Reinstall the computer cover as detailed in [Reinstall the Cover on page 46](#).
6. Follow the steps for [Post-configuration on page 45](#).

Replace the RTC Battery

The computers use nonvolatile memory that requires a real-time clock (RTC) lithium battery to retain system information when power is removed. The RTC battery is next to the SO-DIMM1 slot.

This battery is intended to be replaced during the life of the computer. The battery life depends on the amount of time the computer is on, or on-time.



If the computer does not retain the correct time and date, replace the battery.



ATTENTION: A risk of fire and chemical burn exists if the battery is not handled properly:

- Do not disassemble, crush, puncture, or short external contacts.
- Do not expose the battery to temperatures higher than the rated temperature ranges in [Table 13 on page 110](#).
- Do not dispose of a used battery in water or fire.

For safety information on handling lithium batteries, see Guidelines for Handling Lithium Batteries, publication [AG-5.4](#).

Follow these steps to replace the RTC battery.

IMPORTANT Depending on your model, replace with a similar CR2450-type coin battery rated at least 0 to 85 °C (32 to 185 °F) operating temperature range.

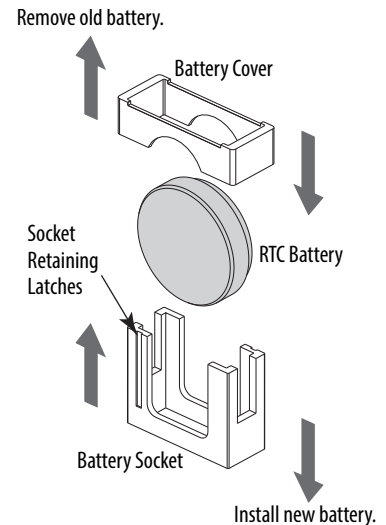
1. Follow the steps for [Pre-configuration on page 44](#).
2. Remove the computer cover as detailed in [Remove the Cover on page 45](#).

3. If necessary, remove any accessory boards or cables that prevent access to the RTC battery socket.

4. Remove the old battery.
 - a. Pull the battery cover straight out of the battery socket.
 - b. Pull the old battery from its socket.

5. Install the new battery.
 - a. Insert the new battery with the positive polarity (+) side facing towards the SO-DIMM memory slots.

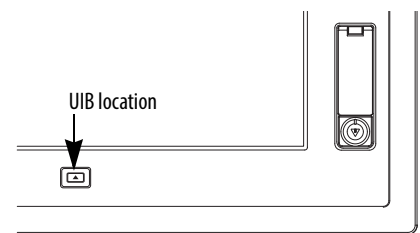
Verify that the battery is seated completely.



TIP The battery socket retaining latches allow only one way for the battery to be installed.

- b. Reinstall the battery cover.
6. Reinstall the computer cover as detailed in [Reinstall the Cover on page 46](#).
7. Follow the steps for [Post-configuration on page 45](#).
8. During POST, press F2 on an attached keyboard or press the UIB⁽¹⁾ to enter the UEFI setup and reconfigure settings.

See [Chapter 5](#) starting on [page 57](#) for more information on UEFI settings.



IMPORTANT Replacing the battery results in all UEFI settings returning to their default settings. UEFI settings other than default must be reconfigured after replacing the battery.



This computer contains a sealed lithium battery that could need replacing during the life of the computer.

At the end of its life, collect the battery contained in this computer separately from any unsorted municipal waste.

(1) The UIB is only on the front of display computers with aluminum bezels.

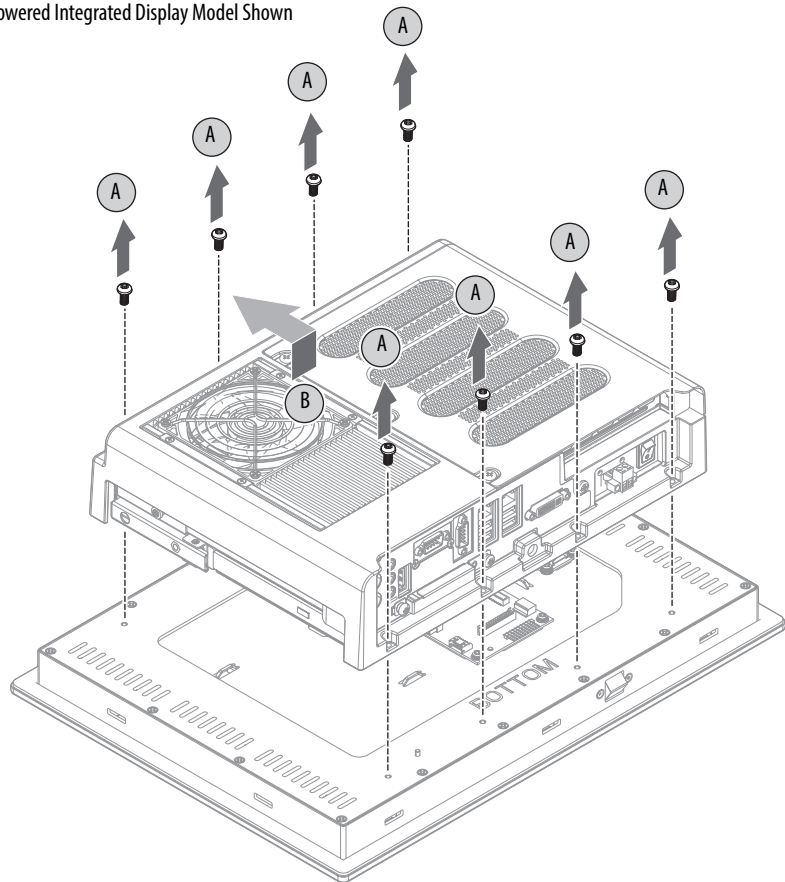
Replace the Power Supply Unit

Follow these steps to replace the power supply unit (PSU).

IMPORTANT Use an antistatic wrist strap that is connected to the work surface and properly grounded tools and equipment when handling internal computer components.

1. Follow the steps for [Pre-configuration on page 44](#).
2. Place the computer on a flat, steady surface with the rear cover facing upward.
3. Remove the eight screws that secure the computer to the display panel (A).
4. Lift and slide the computer forward so you can unplug the display cables (B).

DC Powered Integrated Display Model Shown



5. Disconnect the eDP signal (C) and panel (D) cables from the panel adapter board.

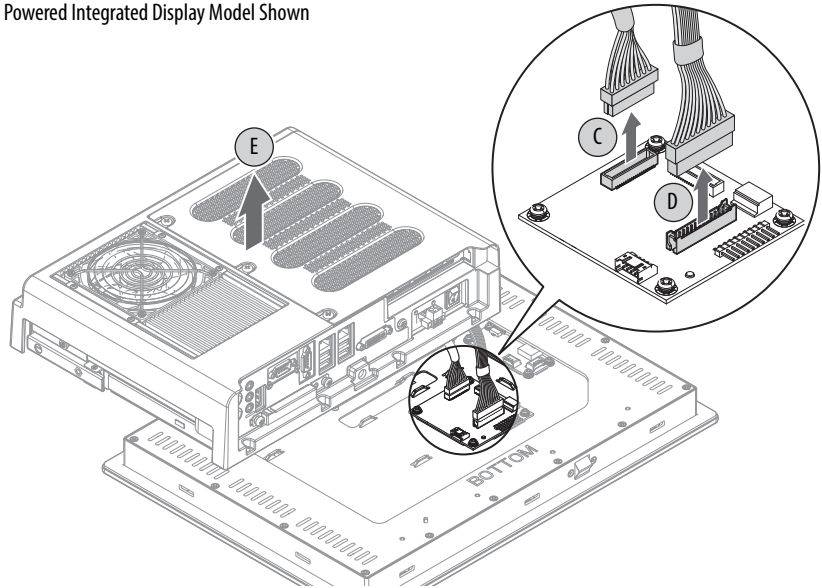
IMPORTANT

For display computers with aluminum bezels, do not disconnect the USB 3.0 cable between the motherboard and front bezel USB port. If necessary, cut cable ties so the computer can be 'hinged' into a safe work position while the USB 3.0 cable remains connected.

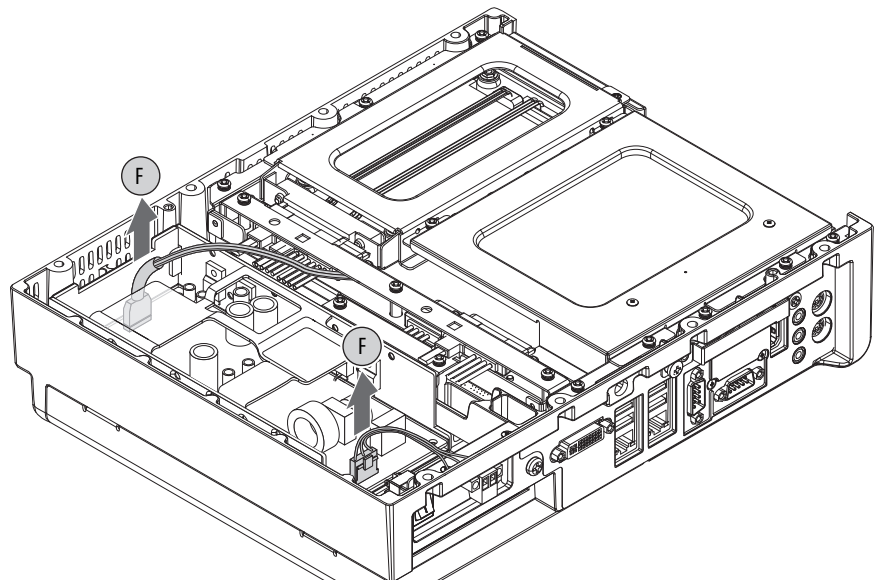
The USB 3.0 cable is fragile so keep it connected to avoid any possible damage. Replacement cable ties are supplied with the replacement power supply.

6. Lift the computer off the display panel (E).

DC Powered Integrated Display Model Shown

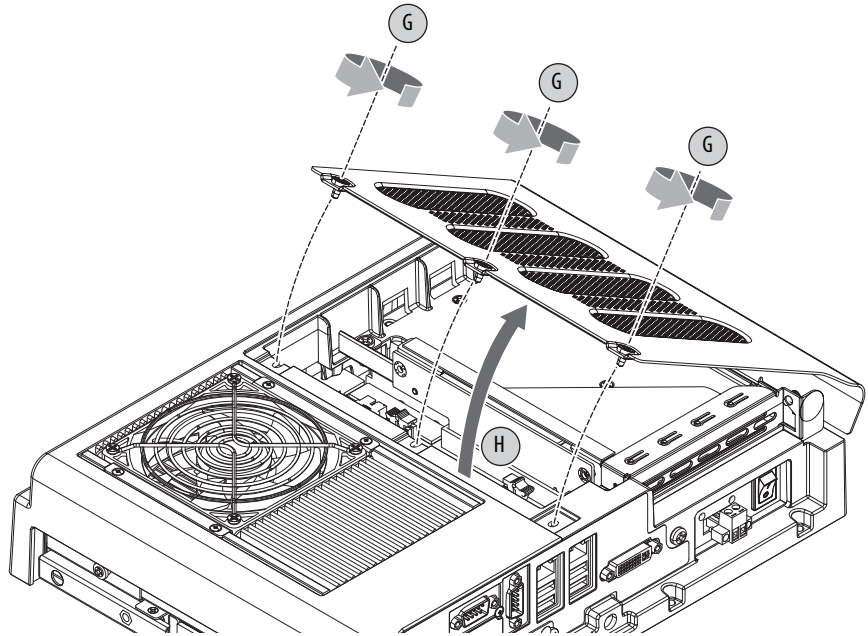


7. Turn over the computer to access the PSU.
8. Remove the screws securing the two power connectors (F) from the PSU.

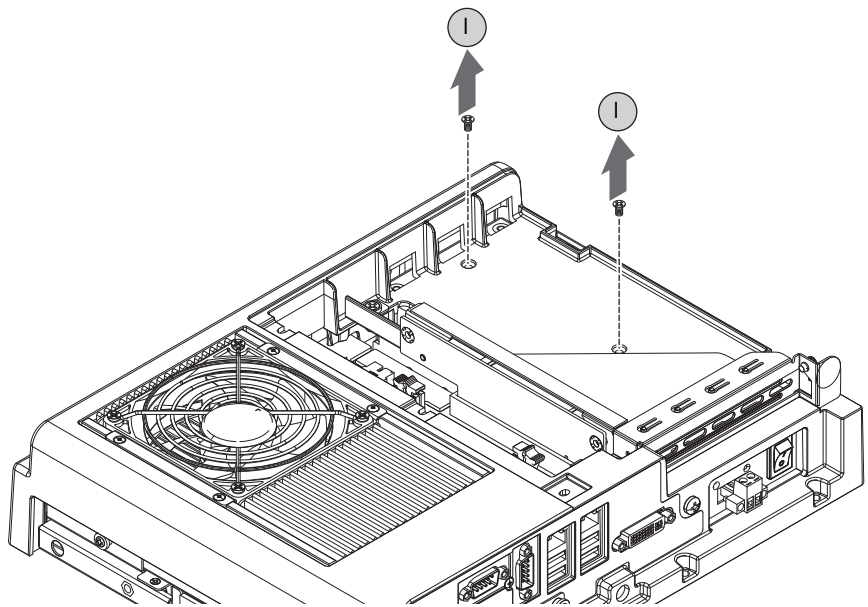


9. Disconnect the two power connectors.

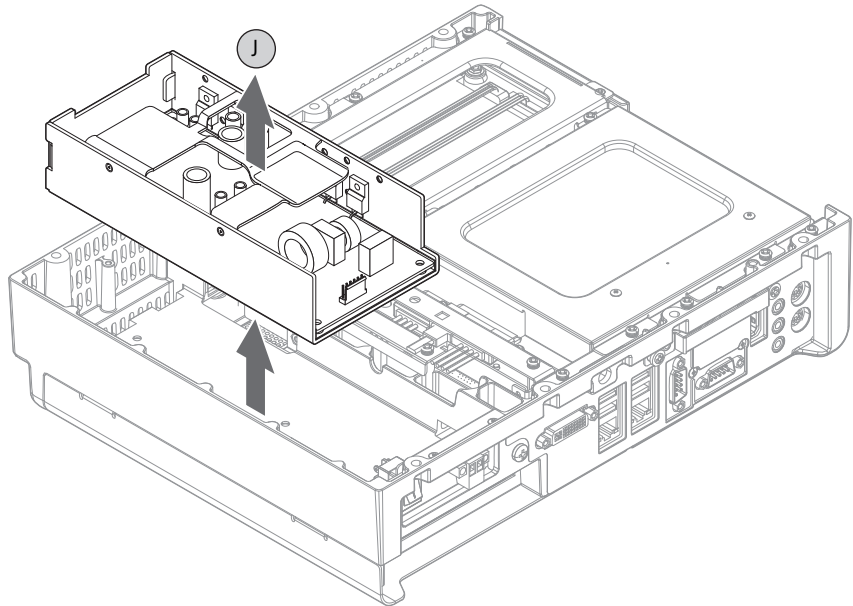
10. Turn over the computer to access the rear cover.
11. Remove the rear cover.
 - a. Loosen the three screws that secure the rear cover (G).
 - b. Open the cover and detach it from the chassis (H).



12. Remove the two screws (I) that secure the PSU to the chassis.



13. Turn over the computer to access the PSU.

14. Remove the PSU (J).**15.** Install the new PSU in the reverse order of the removal steps.

- a. Torque the two screws to 1.4 N•m (12 lb•in) to secure the new PSU.
- b. Before reinstalling the computer to the display unit, verify that the following are properly connected:
 - the two PSU power connectors and their screws
 - the eDP signal and panel cables
- c. Remove and replace any cut cable ties.

16. Follow the steps for [Post-configuration on page 45](#).

Notes:

UEFI Set-up Utility

Chapter Objectives

This chapter provides information about the set-up utility, including an overview of set-up utility settings you can change and how to upgrade to a new universal extensible firmware interface (UEFI). In this chapter, UEFI replaces Basic Input/Output System (BIOS) to describe the system firmware except where BIOS is specifically used, such as on a graphical interface.

The chapter covers the following topics:

- [Set-up Utility Overview](#)
- [Access the Set-up Utility](#)
- [Set-up Screen Overview](#)
- [Firmware Update](#)
- [Firmware Configuration](#)
- [Diagnostics](#)
- [AMI Rescue](#)
- [Hardware History](#)
- [Exit](#)

Set-up Utility Overview

The set-up utility is a hardware configuration program built into the computer's UEFI. The UEFI is already configured and optimized so there is no need to run this utility. However, you can run the set-up utility to do the following:

- Change the system configuration.
- Change the UEFI setup when a configuration error is detected by the system.
- Redefine communication ports to prevent any conflicts.
- Read the current amount of system memory.
- Change the boot drive order.
- Set or change the password or make other changes to the security settings.
- Upgrade the system firmware.
- Run the diagnostic utility to determine the cause of system malfunction.
- Restore or back up the operating system.

Access the Set-up Utility

Follow these steps to access the set-up utility in your computer.

1. Start your computer.
2. During POST, you have two selections to access the set-up utility.

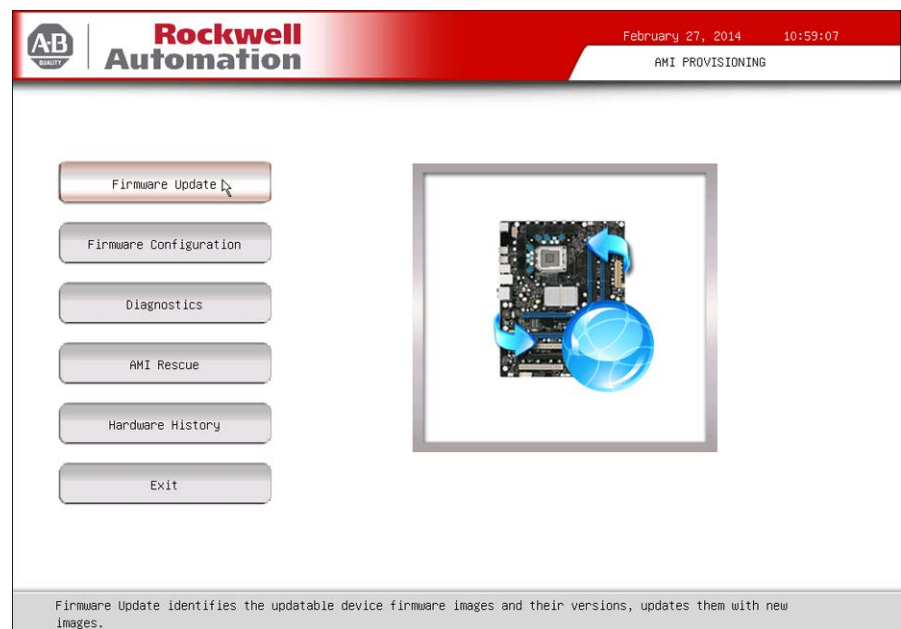
Press	Result
F2 or UIB on front of display ⁽¹⁾	Accesses a graphical interface of set-up environment. IMPORTANT: Screen shots in this chapter are from the UEFI graphical interface.
DEL (delete)	Accesses a text mode set-up environment.

(1) UIB is only available on display computers with aluminum bezels.

Set-up Screen Overview

The set-up screen is the main screen for the UEFI graphical interface. On the left are six menu buttons stacked vertically. Each menu button provides access to information, commands, or configurable options for the following topics:

- [Firmware Update](#)
- [Firmware Configuration](#)
- [Diagnostics](#)
- [AMI Rescue](#)
- [Hardware History](#)
- [Exit](#)

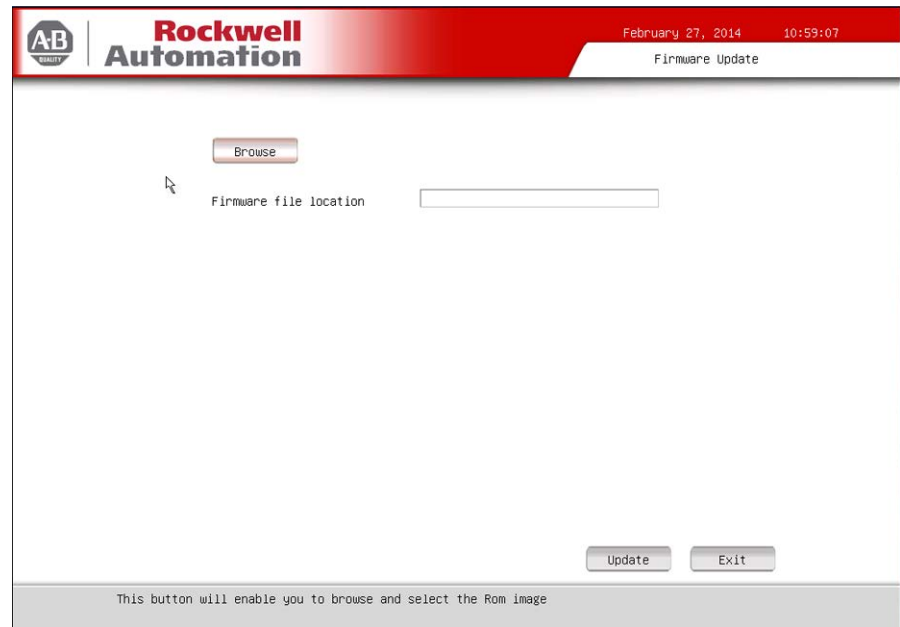


TIP

The UEFI graphical interface can be driven with either the integrated touchscreen or a keyboard and mouse. An On Screen Keyboard (OSK) pops up automatically when a user enters an entry field.

Firmware Update

You can update your system firmware from the Firmware Update menu.



Parameter	Description
Browse	Click to navigate to the firmware file saved onto a media.
Firmware file location	Select or type the filename for the firmware file.
Update	Click to initialize the update process.
Exit	Click to exit the set-up utility.

Follow these steps to update the system firmware.

1. Click the Firmware Update menu.

The Firmware Update screen appears.

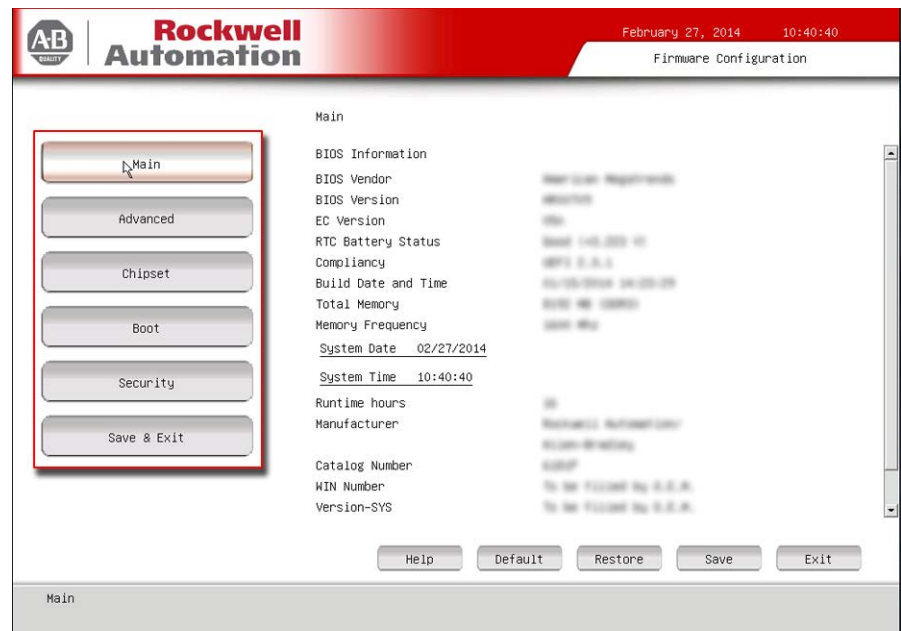
2. Click Browse to locate the firmware file.

IMPORTANT The USB mass storage device that contains the firmware file must be FAT, FAT16, or FAT32 formatted to be recognized.
See <http://www.rockwellautomation.com/compatibility/> to check for revisions and to download firmware files.

3. Click Update.

Firmware Configuration

You can view and modify the various system parameters from the Firmware Configuration menu. It features several menu buttons on the left side of the screen.



Menu	Description
Main	Use this menu to view general computer information and for basic system configuration.
Advanced	Use this menu to configure information for the PXE, PCI, ACPI, processor, SATA, USB, power, video graphics, super IO, hardware monitor, and AMT.
Chipset	Use this menu to configure system chipset information.
Boot	Use this menu to configure boot device priority.
Security	Use this menu to set or change user and administrator passwords.
Save & Exit	Saves changes and reset, discards changes and reset, or restore defaults.

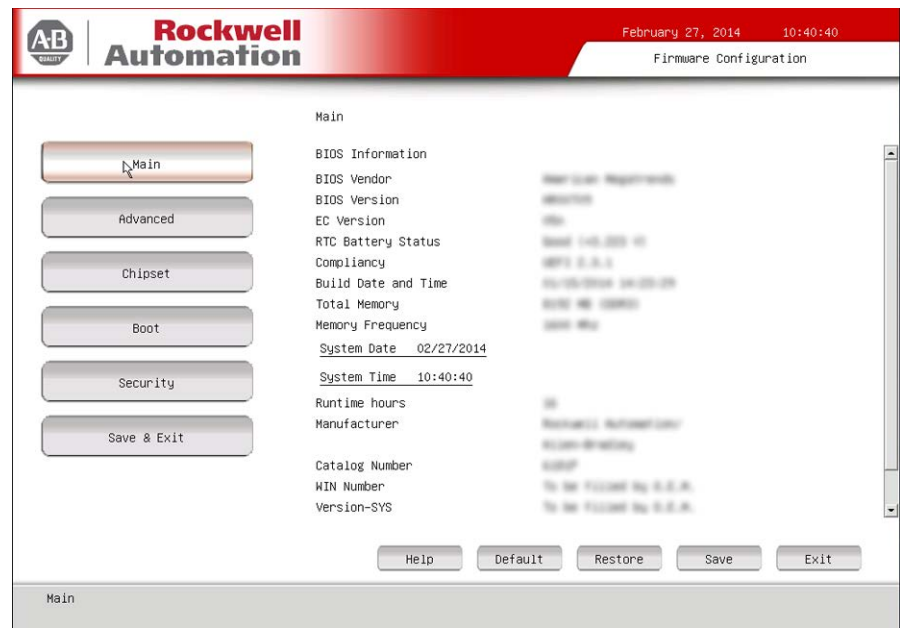
Common Buttons at the Bottom of Screens

Most screens have these common buttons.



Button	Description
Help	Click for general help on using the set-up utility.
Default	Click to load the default values for all the set-up options.
Restore	Click to restore all set-up options to previously saved values.
Save	Click to save configuration changes.
Previous (not shown)	Click to navigate to the previous screen.
Exit	Click to close the set-up utility.

Main



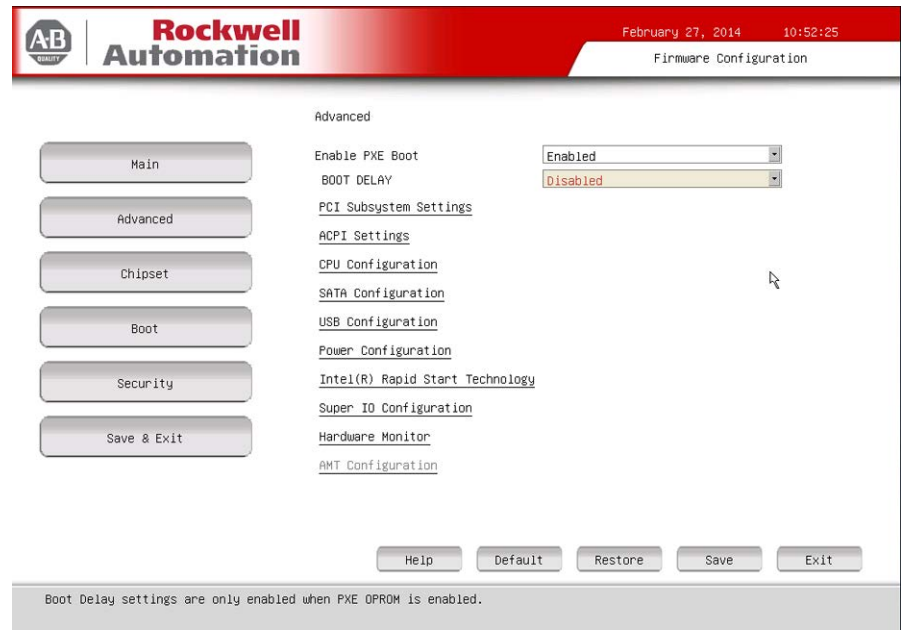
Parameter ⁽¹⁾	Description
BIOS Vendor	BIOS manufacturer
BIOS Version	BIOS version information
EC Version	EC version information
RTC Battery Status	Standby battery voltage
Compliance	UEFI version information
Build Date and Time	Date and time BIOS was created.
Total Memory	Total system memory and memory type (in parentheses)
Memory Frequency	Frequency of installed memory
System Date	Set the system date. Format: Weekday MM:DD:YYYY (Weekday Month:Day:Year)
System Time	Set the system time. Format: HH:MM:SS (Hour:Minute:Second)
Runtime Hours	Records the total hours of computer runtime.
Manufacturer	System manufacturer
Catalog Number	Allen-Bradley catalog number with series letter
WIN Number	Warranty information number
Version-SYS	System version, manufacture date
Version-Board	System board version information
Serial Number	Unique system serial number

(1) See [page 60](#) for an explanation of common buttons near the bottom of screen.

Advanced

Enable PXE Boot

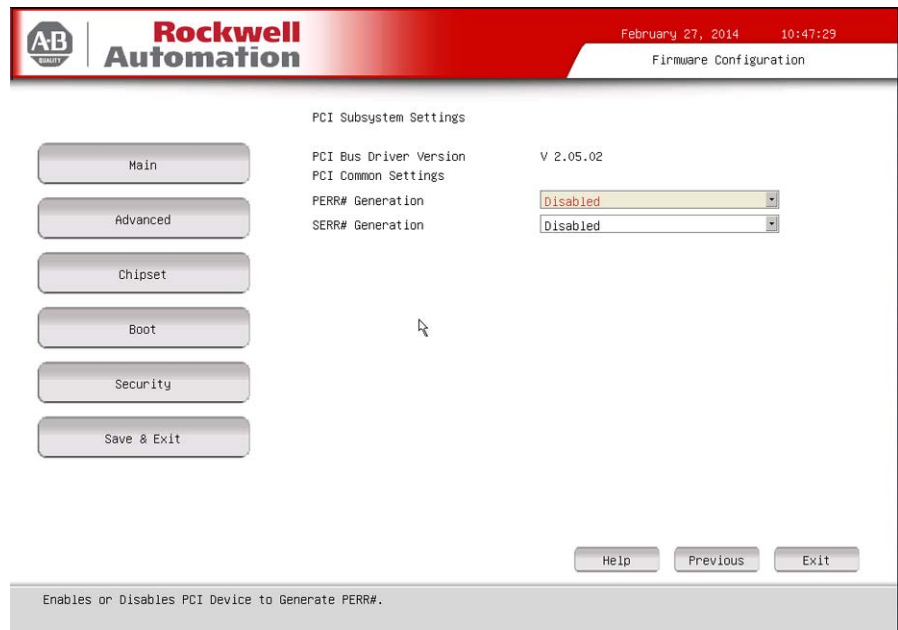
When PXE boot is enabled, a computer boots from a server on a network before booting the operating system on the local hard drive.



Parameter ⁽¹⁾	Description
Enable PXE Boot	Enables or disables boot option for legacy network devices. Options: Enabled or Disabled (default)
Boot Delay	Enables or disables boot delay, which delays the booting process by the time selected. Options: Disabled (default), 100s, 200s, 300s (seconds) IMPORTANT: This data field is only visible when PXE boot is enabled.

(1) See [page 60](#) for an explanation of common buttons near the bottom of screen.

PCI Subsystem Settings



Parameter ⁽¹⁾	Description
PCI Bus Driver Version	Displays the PCI bus driver version information.
PERR# Generation	Enables or disables PCI Device to Generate PERR#. Options: Enabled or Disabled (default)
SERR# Generation	Enables or disables PCI Device to Generate SERR#. Options: Enabled or Disabled (default)

(1) See [page 60](#) for an explanation of common buttons near the bottom of screen.

ACPI Settings

Parameter ⁽¹⁾	Description
ACPI Sleep State	Use to set the ACPI sleep state and manage power. Suspend Disabled: Computer power is totally removed by a mechanical switch. S3 (default): RAM remains powered on.

(1) See [page 60](#) for an explanation of common buttons near the bottom of screen.

CPU Configuration

Rockwell Automation
February 27, 2014 10:43:57
Firmware Configuration

CPU Configuration

CPU Configuration
Intel(R) Core(TM) i7-4700EQ CPU @ 2.40GHz
Processor Cores 4
CPU Speed 2800 MHz
64-bit Supported
Hyper-threading Enabled
Intel Virtualization Technology (VT-x) Disabled
Intel Virtualization Technology for Directed I/O (VT-d) Disabled

Main
Advanced
Chipset
Boot
Security
Save & Exit

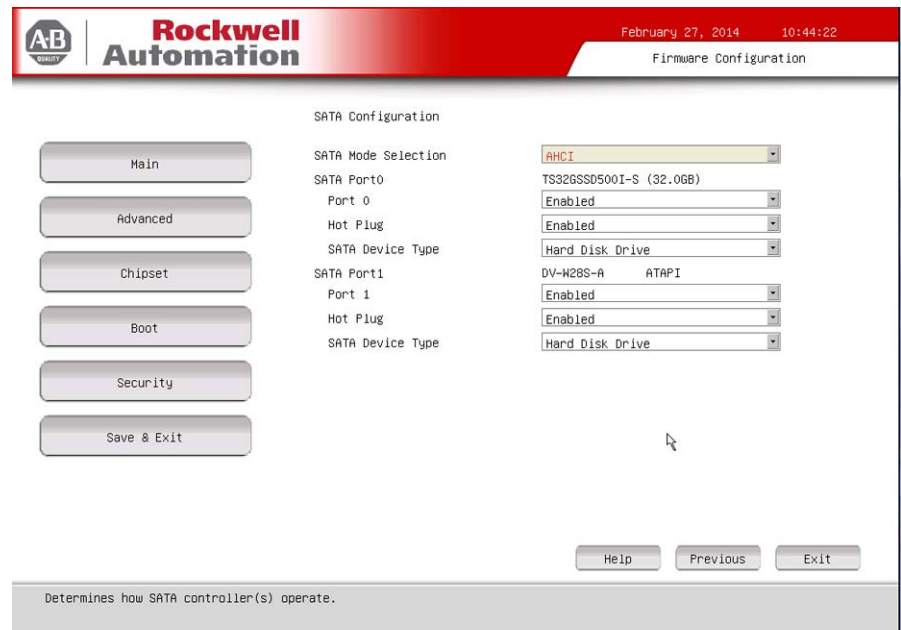
Help Previous Exit

Enabled for Windows XP and Linux (OS optimized for Hyper-Threading Technology) and Disabled for other OS (OS not optimized for Hyper-Threading Technology). When Disabled only one thread per enabled core is enabled.

Parameter ⁽¹⁾	Description
CPU Configuration	Displays processor type and maximum speed.
Processor Cores	Displays processor core count.
CPU Speed	Displays maximum speed of the processor.
64-bit	Displays 64-bit support status.
Hyper-threading	Enables or disables the hyper-threading technology. Options: Enabled (default) or Disabled
Intel Virtualization Technology (VT-x)	When enabled, a Virtual Memory Manager can use the additional hardware capabilities provided by Vanderpool Technology. Options: Enabled or Disabled (default)
Intel Virtualization Technology for Directed I/O (VT-d) ⁽²⁾	Enables or disables VT-d. Options: Enabled or Disabled (default)

(1) See [page 60](#) for an explanation of common buttons near the bottom of screen.
 (2) Supported on computers with Intel i7-4700EQ processors.

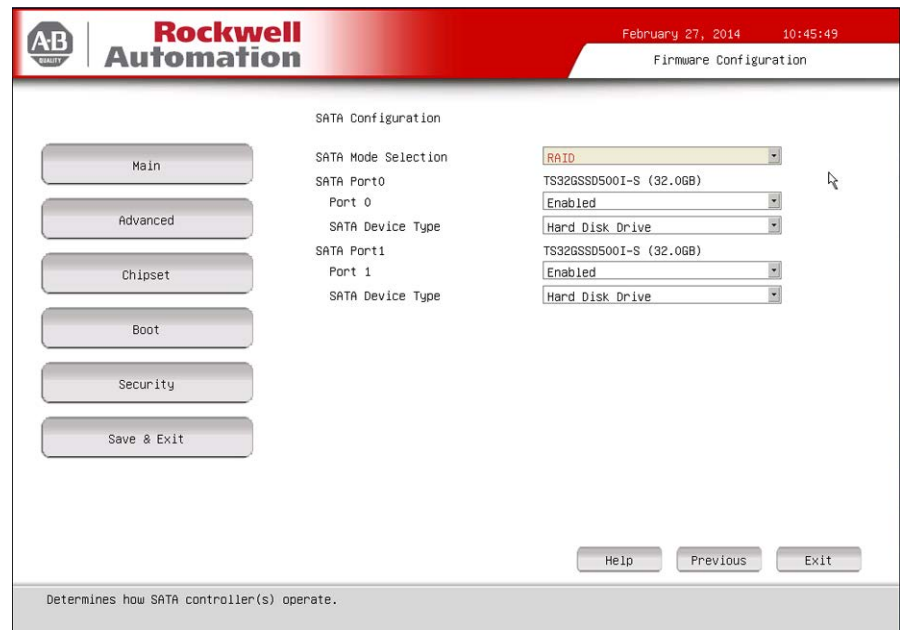
SATA Configuration (AHCI mode)



Parameter ⁽¹⁾	Description
SATA Mode Selection	Select an operation mode for the onboard SATA controller. In this case, the AHCI mode (default) is selected.
SATA Port (0, 1)	Indicates the SATA drive connected to the SATA connector.
Port (0, 1)	Enables or disables the SATA drive connected to the SATA port. Options: Enabled (default) or Disabled
Hot Plug	Enables or disables hot plug support for the SATA port. Options: Enabled (default) or Disabled IMPORTANT: Make sure all writes to the drive are complete before removing the drive from the system to avoid risk of data corruption.
SATA Device Type	Indicates the drive type connected to the SATA port. Options: Hard disk drive (default) or solid-state drive

(1) See [page 60](#) for an explanation of common buttons near the bottom of screen.

SATA Configuration (RAID mode)

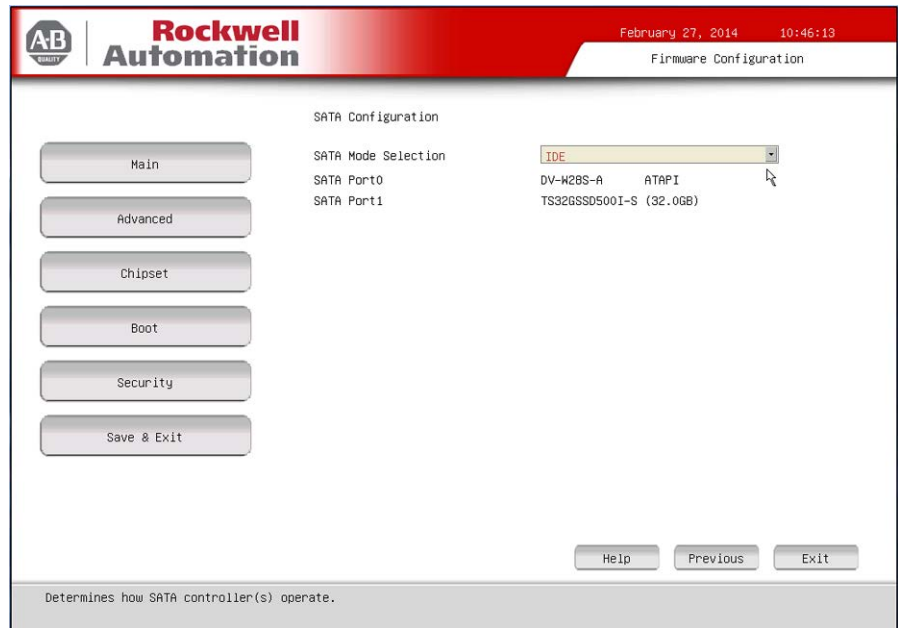


Parameter ⁽¹⁾	Description
SATA Mode Selection	Select an operation mode for the onboard SATA controller. In this case, RAID mode is selected. ⁽²⁾
SATA Port (0, 1)	Indicates the drive make, model, and size.
Port (0, 1)	Enables or disables the SATA port. Options: Enabled (default) or Disabled
SATA Device Type	Indicates the SATA drive type connected to the SATA connector. Options: Hard disk drive (default) or solid-state drive

(1) See [page 60](#) for an explanation of common buttons near the bottom of screen.

(2) Applies only to computers that ship with the Windows Server 2008 R2 operating system.

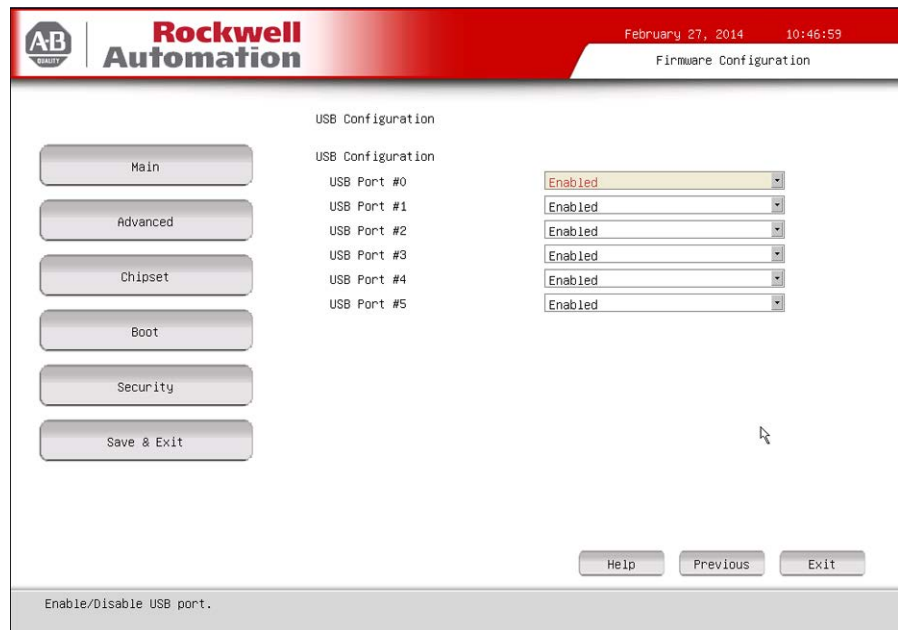
SATA Configuration (IDE mode)



Parameter ⁽¹⁾	Description
SATA Mode Selection	Select an operation mode for the onboard SATA controller. In this case, the IDE mode is selected.
SATA Port (0, 1)	Indicates the drive make, model, and size.

(1) See [page 60](#) for an explanation of common buttons near the bottom of screen.

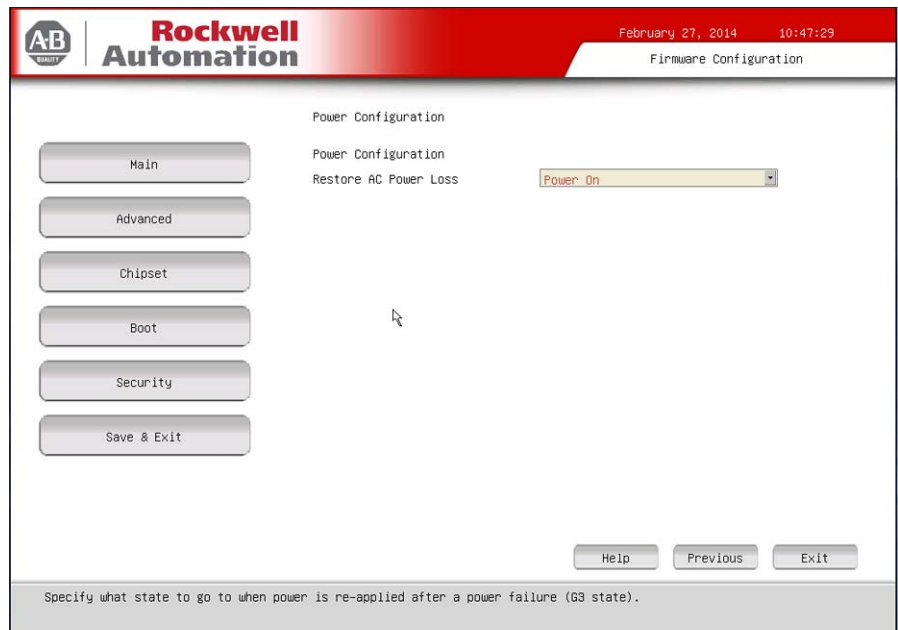
USB Configuration



Parameter ⁽¹⁾	Description
USB Ports	<p>Enables or disables a USB port. Options: Enabled (default) or Disabled Port #0: Front⁽²⁾ of computer Ports #1...#4: Bottom of computer Port #5: Internal (on motherboard; see page 15 for its location)</p> <p>IMPORTANT: Disabling a USB port reduces access risk from unauthorized or malicious sources.</p>

- (1) See [page 60](#) for an explanation of common buttons near the bottom of screen.
- (2) Applies only to display computers with aluminum bezel.

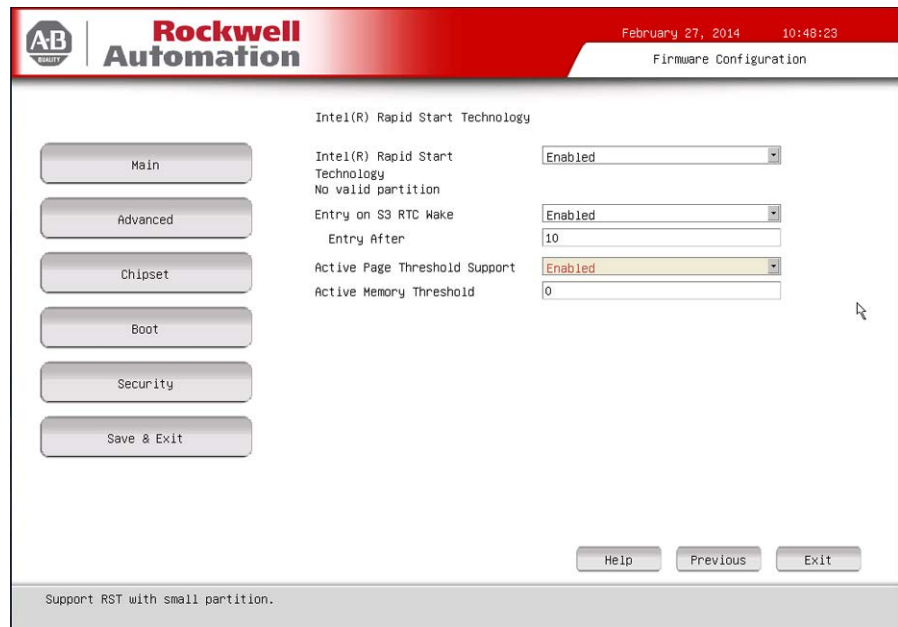
Power Configuration



Parameter ⁽¹⁾	Description
Restore AC Power Loss	Specify what state to go to when power is reconnected after a power failure (G3 state). Options: Power off, Power on (default), Last State

(1) See [page 60](#) for an explanation of common buttons near the bottom of screen.

Intel Rapid Start Technology

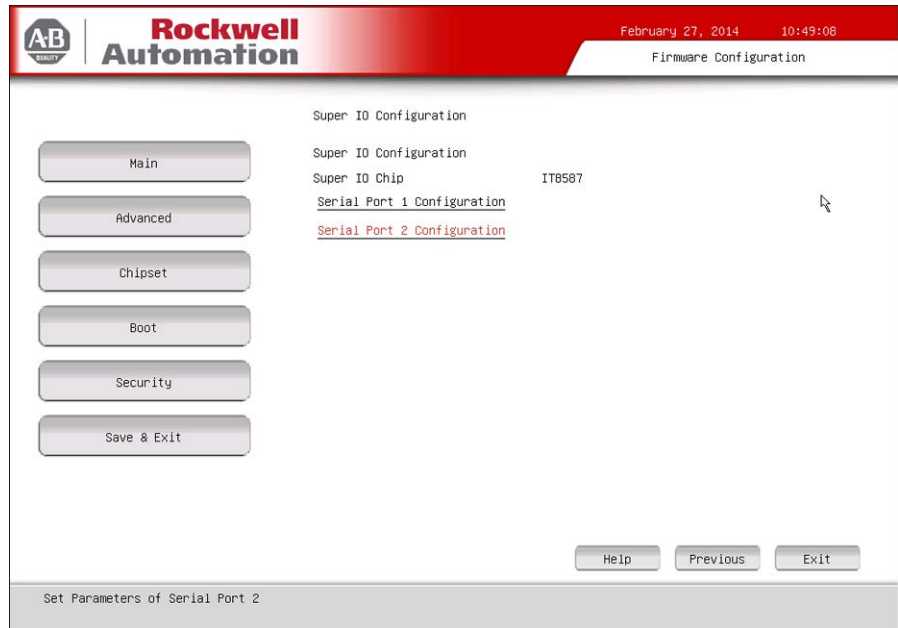


Parameter ⁽¹⁾	Description
Intel (R) Rapid Start Technology	Enables or disables Intel Rapid Start Technology. Options: Enabled or Disabled (default) IMPORTANT: The SSD must first have a private partition allocated that is equal in size to the computer RAM.
Entry on S3 RTC Wake ⁽²⁾	Enables or disables Rapid Start invocation upon S3 RTC wake. Options: Enabled (default) or Disabled
Entry After ⁽²⁾	Enables or disables RTC wake timer at S3 entry. Number range: 10 (default) or 0...120
Active Page Threshold Support ⁽²⁾	Enables or disables support for Rapid Start Technology when the partition size is less than the amount of memory in the system. Options: Enabled or Disabled (default)
Active Memory Threshold ⁽²⁾	Enables the system to support Rapid Start Technology when the partition size is greater than the Active Page Threshold size in MB. When set to 0 (auto mode), it checks if partition size is enough at S3 entry. Options: 0 (default), 1...65535

(1) See [page 60](#) for an explanation of common buttons near the bottom of screen.

(2) This data field is visible only when the Intel (R) Rapid Start Technology data field is enabled.

Super IO Configuration



Parameter ⁽¹⁾	Description
Super IO Chip	Displays the Super IO chipset information.
Serial Port 1 Configuration	Scroll to this item to set parameters for the serial port 1.
Serial Port 2 Configuration	Scroll to this item to set parameters for the serial port 2.

(1) See [page 60](#) for an explanation of common buttons near the bottom of screen.

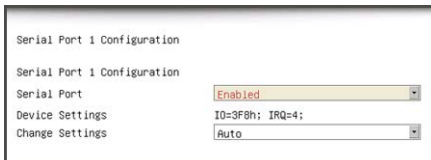


Table 2 - Serial Port 1 Configuration

Parameter	Description
Serial Port	Enables or disables the serial (COM1) port. Options: Enabled (default) or Disabled
Device Settings	Displays the serial port's Base I/O address and IRQ setting.
Change Settings	Select an optimal setting for the super IO device. Options: Auto (default), IO=3F8h; IRQ=4, IO=2F8h; IRQ=4, IO=3E8h; IRQ=4, IO=2E8h; IRQ=4

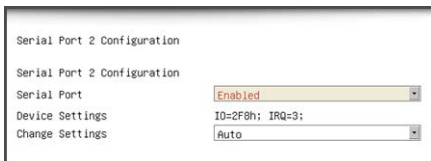
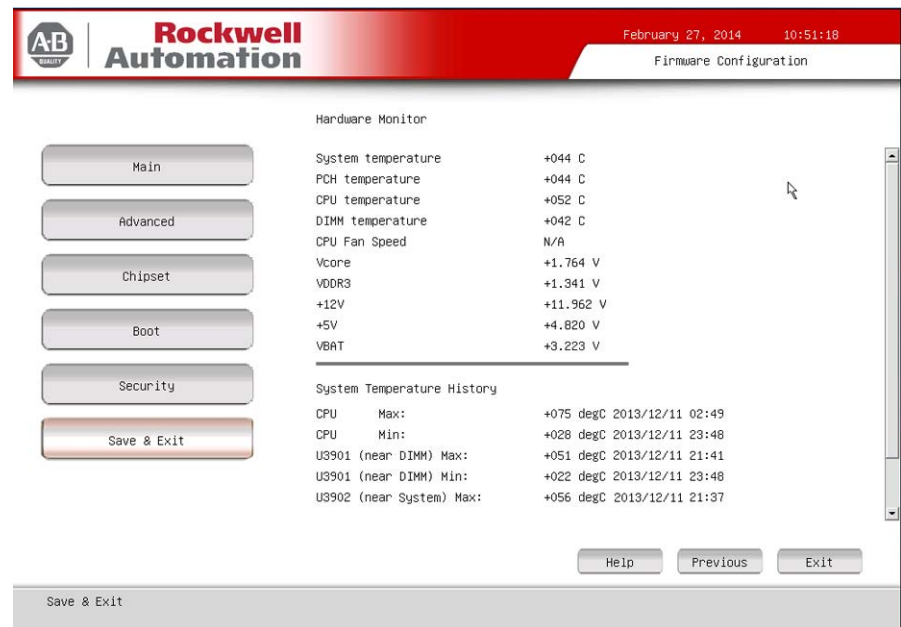


Table 3 - Serial Port 2 Configuration

Parameter	Description
Serial Port	Enables or disables the serial (COM2) port. Options: Enabled (default) or Disabled
Device Settings	Displays the serial port's Base I/O address and IRQ setting.
Change Settings	Select an optimal setting for the super IO device. Options: Auto (default), IO=2F8h; IRQ=3, IO=3F8h; IRQ=3, IO=3E8h; IRQ=3, IO=2E8h; IRQ=3

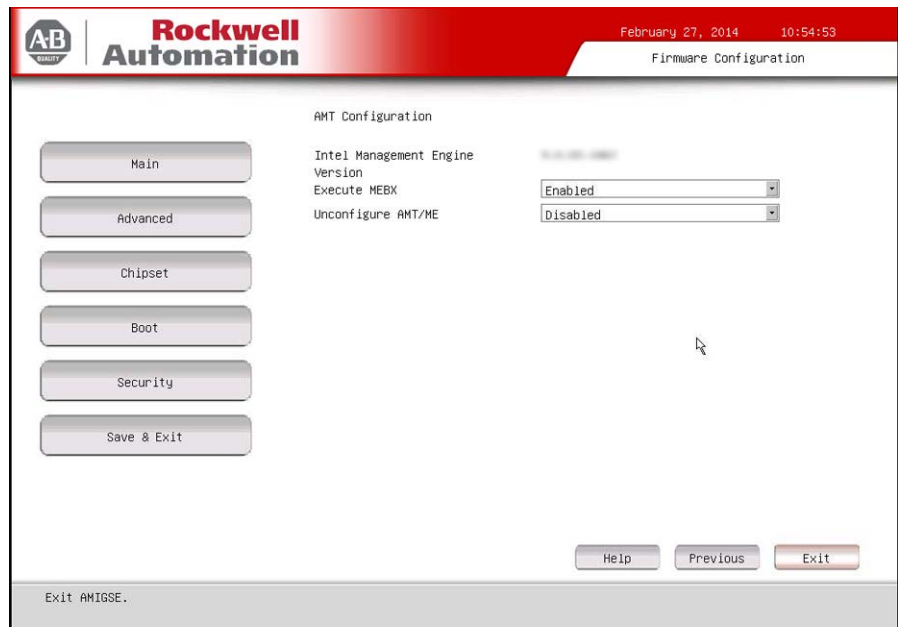
Hardware Monitor



Parameter ⁽¹⁾	Description
Hardware Monitor System temperature PCH temperature CPU temperature DIMM temperature CPU Fan Speed ⁽²⁾ Vcore VDDR3 +12V +5V VBAT	Displays the current temperatures and core voltages of various hardware components. All values are read-only.
System Temperature History CPU Max: CPU Min: U3901 (near DIMM) Max: U3901 (near DIMM) Min: U3902 (near System) Max: U3902 (near System) Min: U3904 (near PCH) Max: U3904 (near PCH) Min:	Displays the minimum and maximum temperatures for the CPU and applicable sensors over a 24-hour time period (time stamp is 24-hour clock). All values are read-only.

(1) See [page 60](#) for an explanation of common buttons near the bottom of screen.
 (2) This data field is visible only on computers with an Intel i7-4700EQ processor.

AMT Configuration

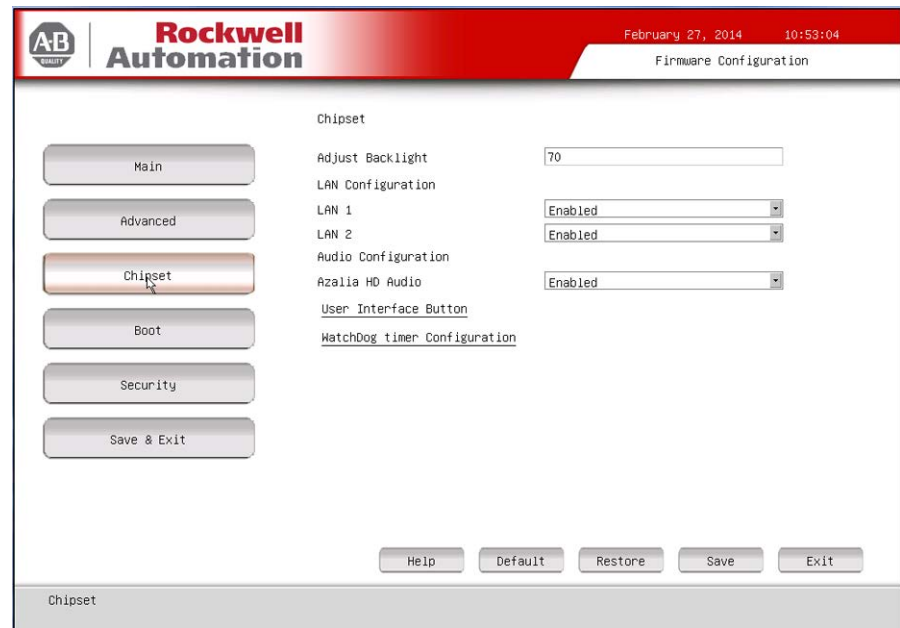


IMPORTANT AMT configuration is only available on Tier 3 computer models. See [page 11](#) to see if your computer qualifies.

Parameter ⁽¹⁾	Description
Intel Management Engine Version	Displays the Intel Management Engine version.
Execute MEBx	Enables the Management Engine BIOS Extension (MEBx), which is accessed by pressing CTRL+P at POST. This function is used to configure AMT. Options: Enabled or Disabled (default)
Unconfigure AMT/ME	Lets you unconfigure any provisioned management settings for AMT/ME. Options: Enabled or Disabled (default)

(1) See [page 60](#) for an explanation of common buttons near the bottom of screen.

Chipset



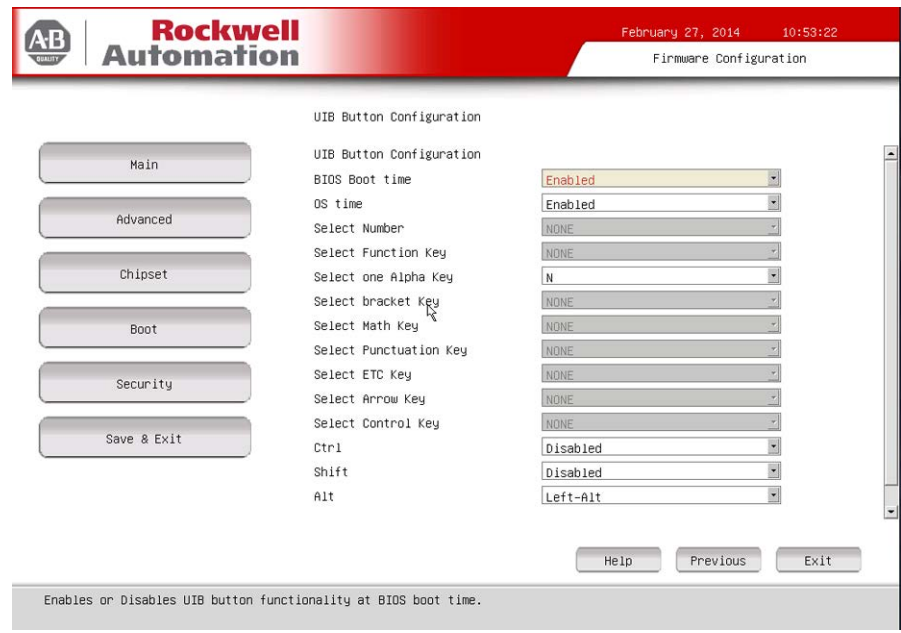
Parameter ⁽¹⁾	Description
Adjust Backlight	Adjust the internal LCD LED backlight brightness. Number range: 1 to 100 with 100 as full (100%) brightness; 70 is default. IMPORTANT: Increasing the brightness from the default setting reduces the life of the LED backlight, particularly at high temperatures.
LAN 1	Enables or disables onboard LAN1 controller. Options: Enabled (default) or Disabled
LAN 2	Enables or disables onboard LAN2 controller. Options: Enabled (default) or Disabled
Azalia HD Audio	Enables or disables Azalia HD audio. Options: Enabled (default) or Disabled
User Interface Button	Select this item to set parameters for the user interface button.
WatchDog timer Configuration	Select this item to set parameters for the watchdog timer.

(1) See [page 60](#) for an explanation of common buttons near the bottom of screen.

User Interface Button (UIB)

To access the UIB configuration screen, do the following.

1. On computer startup, enter the BIOS/UEFI.
2. On the Main screen, click Firmware Configuration.
3. On the Firmware Configuration screen, click Chipset.
4. On the Chipset screen, click User Interface Button.



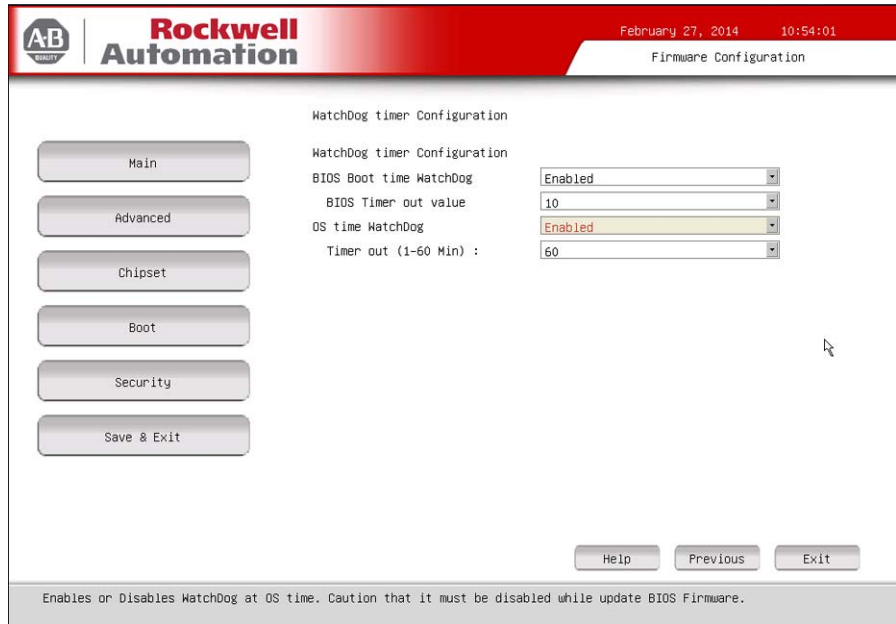
IMPORTANT This screen is only available on display computers with aluminum bezels.

Parameter ⁽¹⁾	Description
BIOS Boot time	Enables or disables UIB access to UEFI menu during POST. Options: Enabled (default) or Disabled
OS time	Enables or disables UIB functionality at OS time. Options: Enabled (default) or Disabled
Select Number	Select a number key to represent UIB. Options: None (default) or 0...9
Select Function Key	Select a function key to represent UIB. Options: None (default) or F1...F12
Select one Alpha Key	Select an alphabet letter (Alpha) key to represent UIB. Options: N (default), a...z, or A...Z
Select bracket key	Enables or disables key combination with bracket key. Options: None (default) or (,), [,], {, }, <, >
Select Math key	Enables or disables key combination with Math key. Options: None (default) or =, +, -
Select Punctuation key	Enables or disables key combination with punctuation key. Options: None (default) or ` ; ' : " ? . ! &
Select ETC key	Enables or disables key combination with ETC key. Options: None (default) or ~, @, #, \$, %, ^, *, _ \, /, , space bar
Select Arrow key	Enables or disables key combination with arrow key. Options: None (default) or Up, Down, Right, Left

Parameter ⁽¹⁾	Description
Ctrl	Enables or disables key combination with CTRL key. Options: Disabled (default), Left-CTRL, or Right-CTRL
Shift	Enables or disables key combination with Shift key. Options: Disabled (default), Left-Shift, or Right-Shift
Alt	Enables or disables key combination with ALT key. Options: Disabled, Left-ALT (default), or Right-ALT

(1) See [page 60](#) for an explanation of common buttons near the bottom of screen.

Watchdog Timer



Parameter ⁽¹⁾	Description
BIOS Boot time WatchDog	Enables or disables BIOS boot timeout. Options: Enabled or Disabled (default)
BIOS Timer Out value ⁽²⁾	Set BIOS timer timeout value (10, 20, or 30 minutes). 10 is default.
OS time WatchDog	Enables or disables OS timeout. Options: Enabled or Disabled (default)
Timer Out (1-60 Min) ⁽³⁾	Set WatchDog timer timeout value (1...60 minutes) in 1 minute increments. 60 is default.

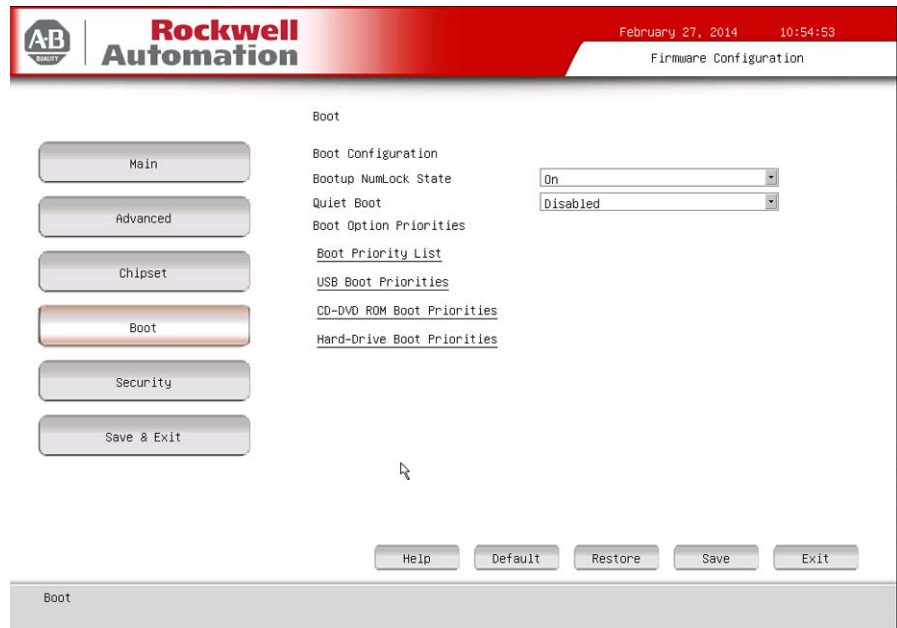
(1) See [page 60](#) for an explanation of common buttons near the bottom of screen.


(2) This field is only visible when BIOS Boot time Watchdog is enabled.

(3) This field is only visible when OS time Watchdog is enabled.

IMPORTANT If you enable the BIOS Boot time Watchdog, then it must be disabled before you update the BIOS firmware.

Boot

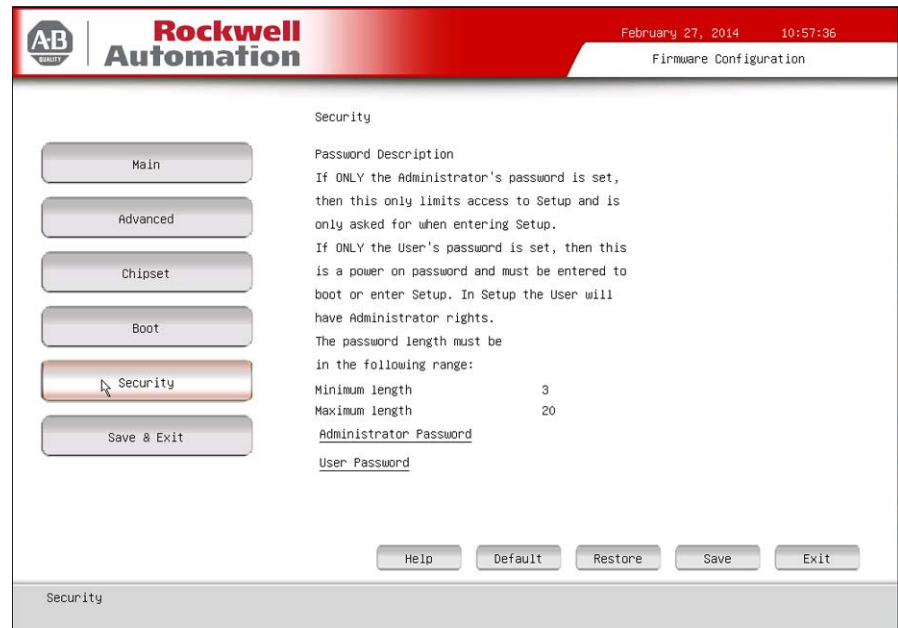


Parameter ⁽¹⁾	Description
Bootup NumLock State	Enables or disables the Num Lock key on boot. Option: On (default) or Off
Quiet Boot	Enables or disables Quiet Boot option. Option: Enabled or Disabled (default) IMPORTANT: Enabling this option hides the POST screen messages at startup and delays boot time by several seconds.
Boot Priority List	Change the boot order through a dialog box.  <p>The dialog box includes instructions on changing the boot order and enabling or disabling boot options.</p>
USB Boot Priorities	Change the USB boot order through a dialog box. See the Boot Priority List description for the dialog box options.
CD-DVD ROM Boot Priorities ⁽²⁾	Change the CD-DVD ROM boot order through a dialog box. See the Boot Priority List description for the dialog box options.
Hard-Drive Boot Priorities	Change the hard drive boot order through a dialog box. See the Boot Priority List description for the dialog box options.

(1) See [page 60](#) for an explanation of common buttons near the bottom of screen.

(2) This data field is only visible on computers with CD-ROM drives.

Security



Parameter ⁽¹⁾	Description
Administrator Password	<p>Sets the administrator password.</p> <p>IMPORTANT: If you forget the administrator password, you can reset the password by removing and replacing the battery or by pressing the Clear UEFI button on the motherboard. See Clear the UEFI on page 95 for more information.</p> <p>Using a password reduces access risk from unauthorized or malicious sources.</p>
User Password	<p>Sets the user password.</p> <p>IMPORTANT: If you forget the user password, you can reset the password by removing and replacing the battery or by pressing the Clear UEFI button on the motherboard. See Clear the UEFI on page 95 for more information.</p> <p>Using a password reduces access risk from unauthorized or malicious sources.</p>

(1) See [page 60](#) for an explanation of common buttons near the bottom of screen.

Save & Exit

February 27, 2014 10:58:06
Firmware Configuration

Save & Exit

Main
Advanced
Chipset
Boot
Security
Save & Exit

Save Changes and Reset
Discard Changes and Reset
Restore Defaults

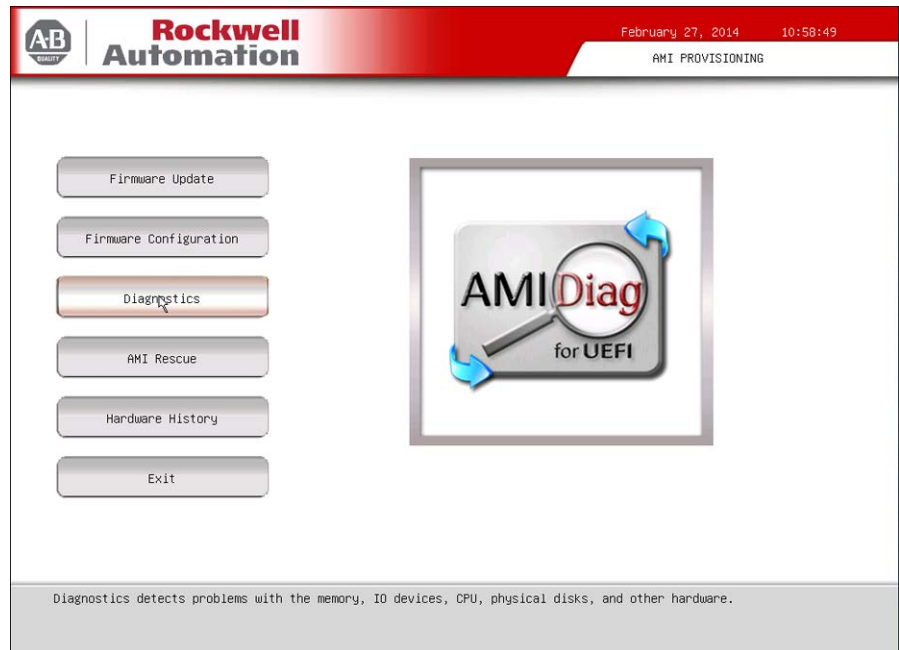
Help Default Restore Save Exit

Parameter ⁽¹⁾	Description
Save Changes and Reset	Saves changes made and closes the set-up utility.
Discard Changes and Reset	Discards changes made and closes the set-up utility.
Restore Defaults	Loads the optimal defaults in the set-up menu.

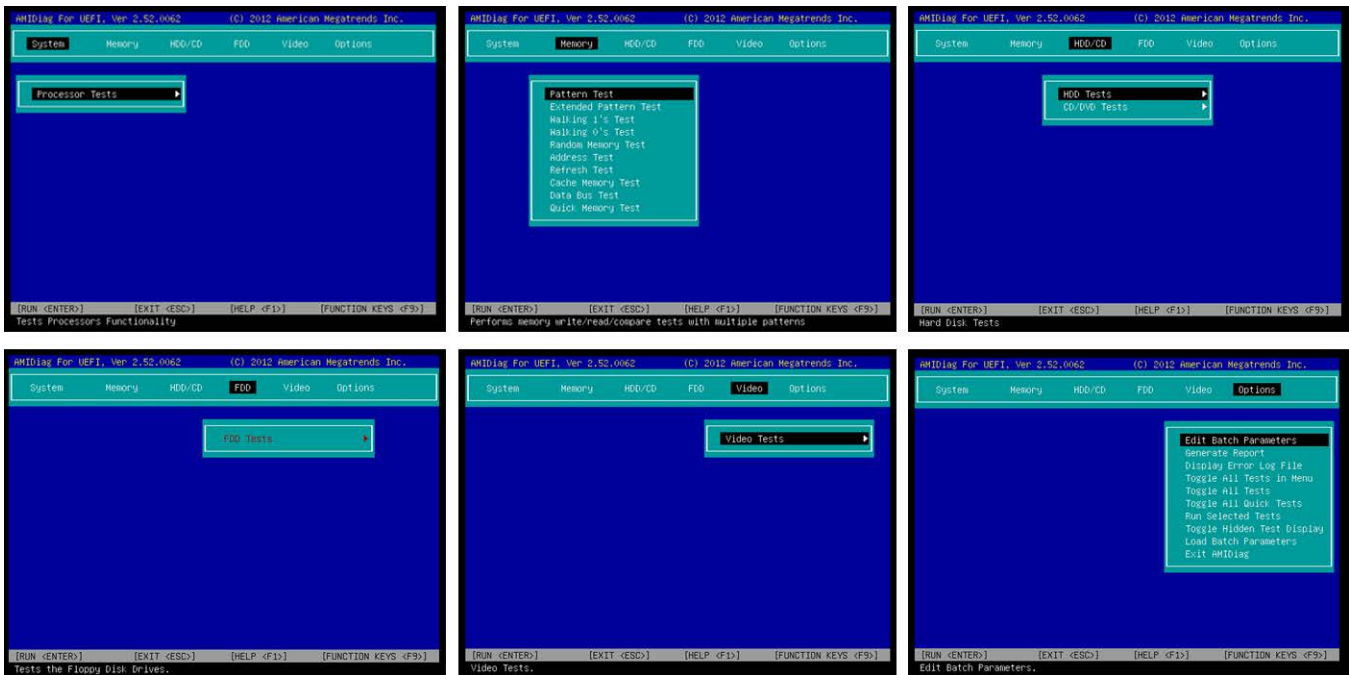
(1) See [page 60](#) for an explanation of common buttons near the bottom of screen.

Diagnostics

The Diagnostics menu lets you run the diagnostics utility to determine the cause of the system malfunction by testing computer components, such as the processor, memory, hard disk drive, optical disc drive, video, and other hardware.



Select a menu option by pressing the up ↑ or down ↓ arrow keys and pressing Enter when a menu is highlighted. Press the left ← or right → arrow keys to toggle between the six Diagnostics menu selections.



The following table lists the shortcut options with their corresponding alternates and functions in the Diagnostics menu.

Button	Description
Esc	Stops a test in progress or exits Diagnostics from any of the six menu options.
Enter	Runs the highlighted test or option.
F1	Displays the Help screens.
F2	Edits batch parameters.
F3	Loads batch parameters.
F4	Saves batch parameters.
F5	Selects or deselects the current test.
F6	Selects or deselects the tests on a specific Diagnostic menu.
F7	Selects or deselects all Diagnostic tests.
F8	Selects or deselects all tests necessary to run a system quick test.
F9	Displays a list of the Diagnostic function keys.
F10	Runs the selected test or tests.

AMI Rescue

The AMI Rescue menu lets you back up the system image on your computer and restore that image.



The Make A Backup function does the following:

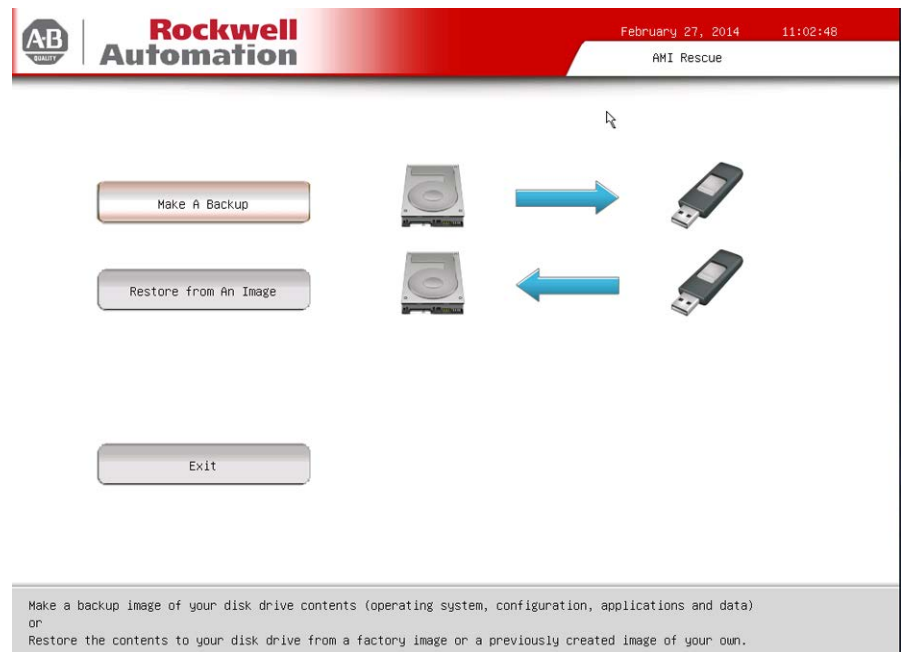
- Overwrite any data stored in a hidden partition.
- Save any data as a new image file stored in a hidden partition.
- Save any data on a mass storage device.

IMPORTANT The following instructions are for the built-in backup and restore utility, AMI Rescue. You can also use third party utility or software to create an image backup and restore.

System images are also available from the Rockwell Automation Product Compatibility and Download Center:

<http://www.rockwellautomation.com/support/pcdc.page>.

The Restore from An Image function overwrites any data on the primary operating system partition on the internal drive.



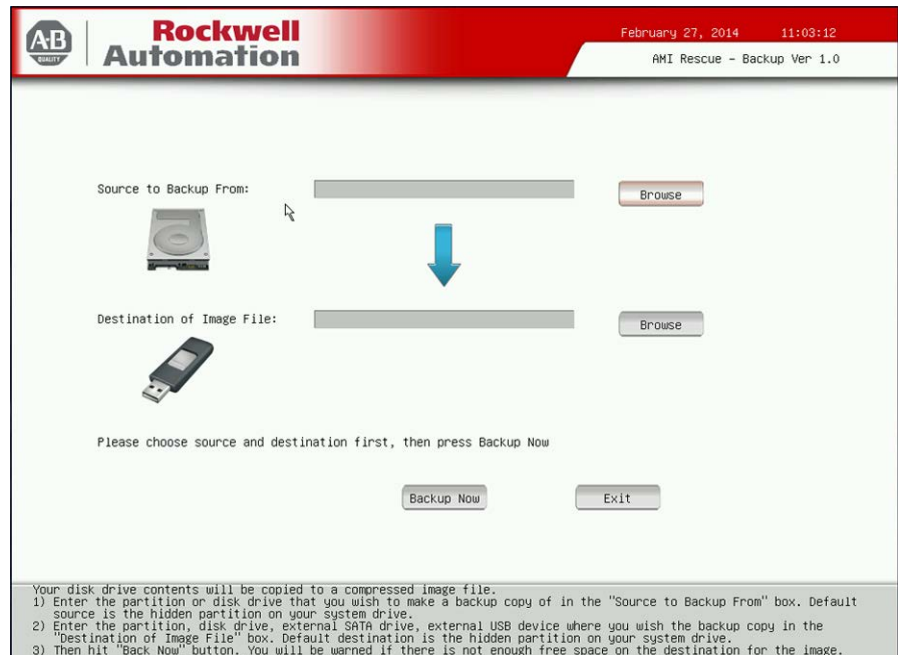
Parameter	Description
Make A Backup	Click to take you through the process of backing up the desired data.
Restore from An Image	Click to take you through the process of restoring the desired data.
Exit	Click to exit the AMI Rescue or press F4.

Make a Backup

Follow these steps to back up the system image.

1. Click the AMI Rescue menu to access the AMI Rescue screen.
2. Click Make a Backup.
3. In the Source to Backup From field, click Browse to locate the backup source.

The default backup source is the hidden partition on your hard drive.



IMPORTANT Any USB mass storage drive must be formatted as FAT32, have a drive label other than 'Recovery', and be non-blank.

4. In the Destination of Image File field, click Browse to locate the destination source.

The default destination source is the hidden partition on your hard drive.

5. Click Backup Now to start the backup process.

IMPORTANT A warning appears if there is not enough free space on the destination source.

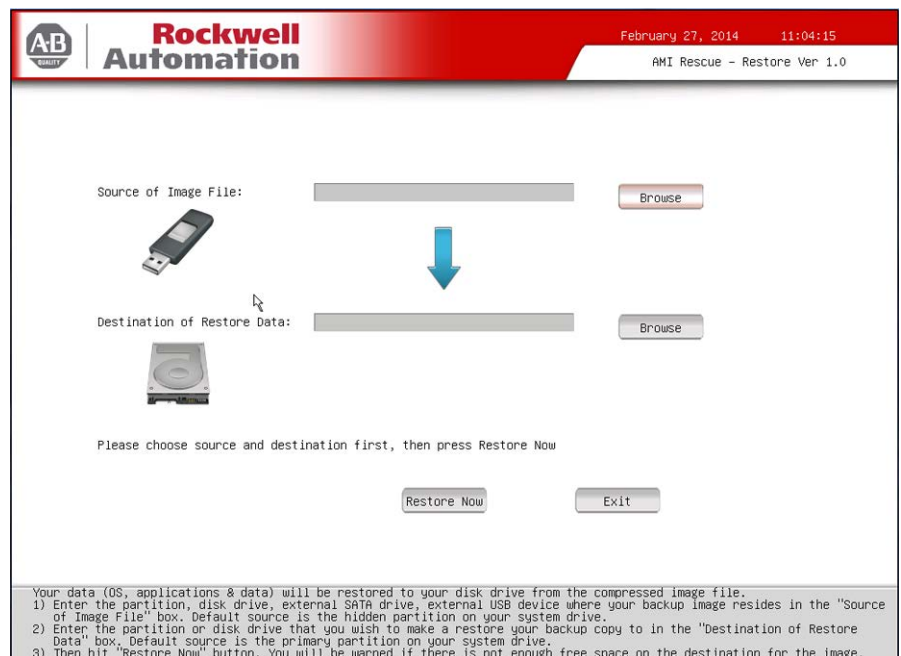
Restore from an Image

Perform the following steps to restore your computer from a system image backup.

IMPORTANT Restoring from a back-up image completely replaces any existing data on the target drive. Make sure all data is backed up before proceeding with the following steps.

1. Click the AMI Rescue menu to access the AMI Restore screen.
2. Click Restore from an Image.
3. In the Source of Image File field, click Browse to locate the image source.

The default image source is the hidden partition on your hard drive.



IMPORTANT Any USB mass storage drive must be formatted as FAT32, have a drive label other than 'Recovery', and be non-blank.

4. In the Destination of Restore Data field, click Browse to locate the destination source.

The default destination source is the primary partition on your hard drive.

5. Click Restore Now to start the restoration process.

IMPORTANT A warning appears if there is not enough free space on the destination source.

Hardware History

You can view various hardware parameters from the Hardware History menu. It shows the total hours that the computer has been powered up, or runtime. It also displays the minimum and maximum temperatures over the entire runtime.

All displayed values are read-only, and the time stamp is 24-hour clock.

The screenshot displays the AMI Hardware History utility interface. At the top, it shows the Rockwell Automation logo and the date/time: February 27, 2014 11:04:52. Below this is the title 'AMI Hardware History Ver 1.0'. The main content is divided into two sections: 'Temperature' and 'Time'. The 'Temperature' section contains a table with the following data:

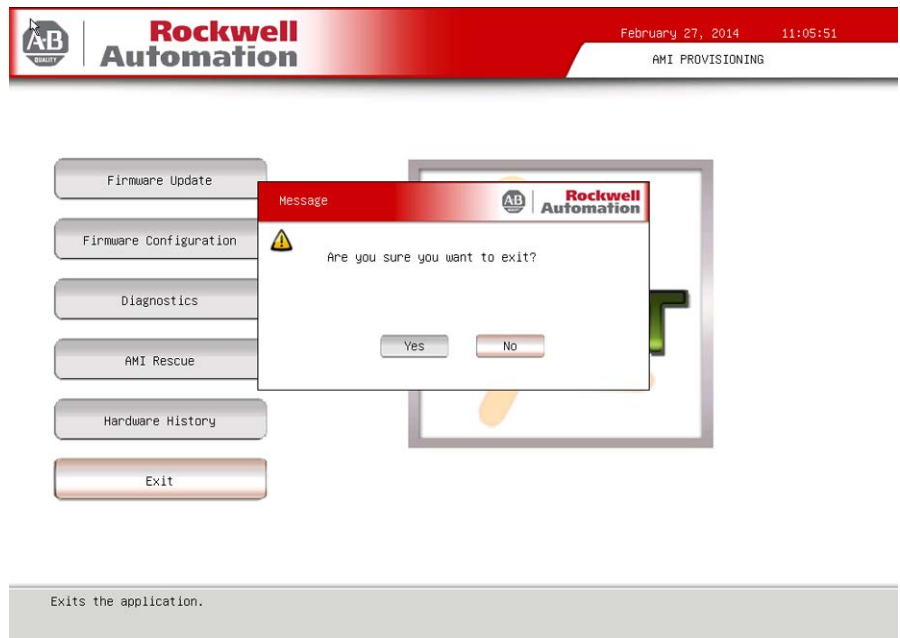
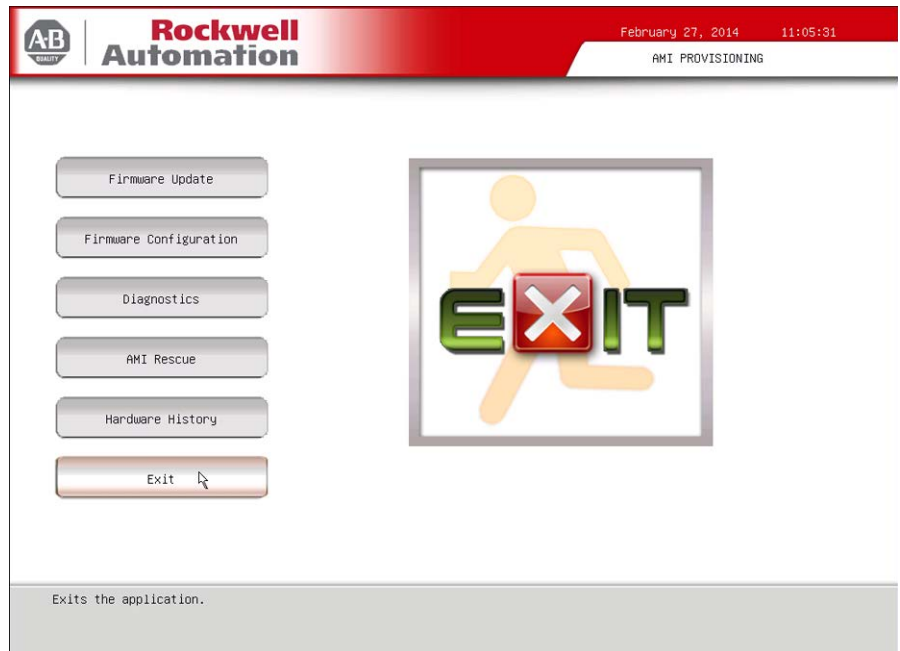
Sensor Location	Max (°C)	Timestamp (YYYY/MM/DD HH:MM)	Min (°C)	Timestamp (YYYY/MM/DD HH:MM)
CPU	+075	2009/01/03 02:49	+028	2013/12/11 23:48
U3901 (near DIMM)	+051	2009/01/02 21:41	+022	2013/12/11 23:48
U3902 (near System)	+056	2009/01/02 21:37	+023	2013/12/11 23:48
U3904 (near PCH)	+054	2009/01/02 22:18	+022	2013/12/11 23:48

The 'Time' section shows 'Runtime Hours' as 017. Below the 'Time' section is an 'Exit' button.

Menu	Description
Temperature	Same hardware temperatures as identified in System Temperature History of Hardware Monitor; see page 73 for more information.
Time	Total runtime hours. In the above screen shot, the runtime hours are 17.
Exit	Returns you to the set-up menu screen (page 58).

Exit

Use the Exit menu to close the UEFI set-up utility.



System Troubleshooting

Chapter Objectives

This chapter provides information on the following topics:

- [Hardware Monitoring](#)
- [Troubleshooting](#)
- [Troubleshooting Checklists](#)
- [Diagnostics](#)
- [Load the System Defaults](#)
- [Clear the UEFI](#)
- [Ship or Transport the Computer](#)

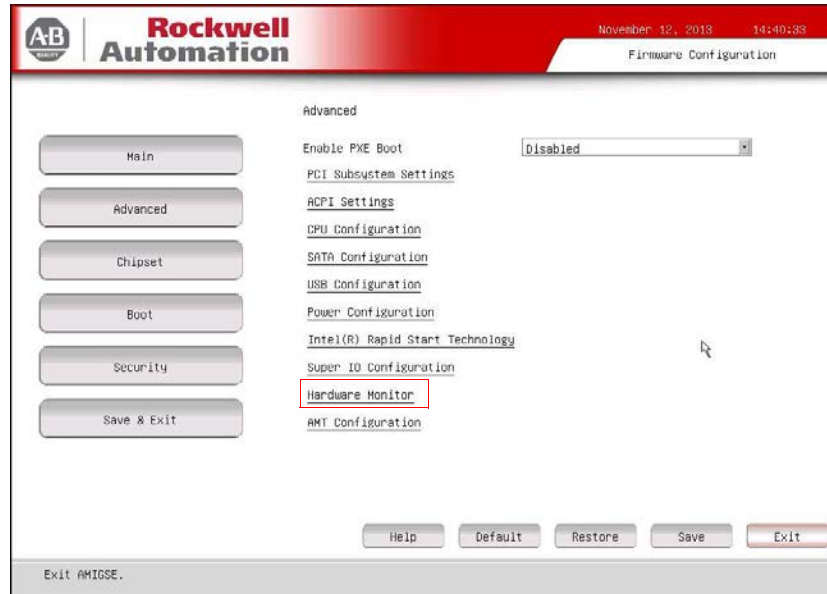
Hardware Monitoring

The built-in hardware monitor of the computer tracks the operating threshold levels of the voltage and temperature sensors.

Follow these steps to determine whether an operating threshold has been reached.

1. Shut down the computer by using the appropriate method for the installed operating system.
See [Shut Down the Computer on page 41](#) for more information.
2. Apply power to the computer.
3. During POST, press F2 to access the UEFI set-up utility.
4. Click Firmware Configuration on the Main Menu screen.
5. Click Advanced from the Firmware Configuration main screen.

6. Click Hardware Monitor on the Advanced screen.



See [Hardware History on page 87](#) for what information is shown.

Use this menu to determine if there is an issue with internal voltages or component temperatures.

Troubleshooting

Follow these steps to identify and isolate an issue with the computer’s operation.

1. Shut down the computer by using the appropriate method for the installed operating system.
See [Shut Down the Computer on page 41](#) for more information.
2. Disconnect power to the computer.
3. Disconnect all peripheral devices from the computer.
4. If using a keyboard and mouse, verify that they are properly connected.
5. If using an external display, verify that it is properly connected.
6. Connect power to the computer. During POST, one of three events occurs:
 - The computer completes the start-up process.
 - A nonfatal error occurs and the related error message is displayed.
 - A fatal error occurs and the start-up process terminates.

If	Then
The computer starts	Isolate the issue by connecting peripheral devices one at a time until the issue occurs.
The issue is with a specific software or driver	Reinstall the software or driver.
The issue is not related specifically to software, a driver, or a peripheral device	Refer to the troubleshooting checklists.

TIP Some computers emit beeps. These audible alerts only signal that an error is detected. The beeps can apply to nonfatal and fatal errors.

Troubleshooting Checklists

To manage common issues, use these checklists to test and verify components. If an issue occurs, refer to these checklists before calling technical support.

Issues during Startup

- Are all connections secure?
- Are the device drivers installed?
- Are the jumpers on any add-in boards correctly positioned?
- If starting from a drive:
 - Is it formatted and set up in the UEFI?
 - Are the drive's data and power cables properly connected? Verify that the computer can start from an external bootable device.
- Are memory modules properly installed? You can reinstall them to be sure of a good connection.
- Is the UEFI properly configured? To restore the default UEFI settings, see [Load the System Defaults on page 94](#).

Issues after Startup

- If an issue is intermittent, you can have a loose connection. Verify that the following items are secure or properly installed:
 - All connections to the computer including any add-in cards
 - The memory modules
- Does your computer have a virus? Run an antivirus software.
- Is the UEFI properly configured? To restore the default UEFI settings, see [Load the System Defaults on page 94](#).
- If there is a flickering display or a locked computer, restart the computer as specified in [Restart the Computer on page 41](#). Although the computers have a regulated and protected power supply, a transient voltage in the power line or peripheral cable can cause errors.
- Is the drive's data cable properly connected? Verify that the computer can start from an external bootable device.
- Is the computer overheating? Refer to the system health status indicator on the computer's front panel. The light indicates the computer's temperature threshold has been exceeded.

If the system health status indicator remains lit, verify the following:

- Any fan (if available) is working.
- Any fan filter (if available) is clean.
- Any cooling method (such as heat sink and vents) is not blocked.
- There is proper clearance as detailed in [Mounting Clearance Requirements on page 24](#).
- The air temperature is within the operating range specified in [Table 13 on page 110](#).

Issues Running New Software

- Does the software have a hardware requirement that is not present?
- Are you using an authorized copy of the software? Some software does not work without proper activation.
- Did the software install correctly? Reinstall the software.
- Are you following the software's instructions? Refer to the software vendor's user manual.

Issues with the Add-in Card

- Is the card installed and configured correctly? Verify the jumper and other configuration settings.
- Are the card cables properly connected?
- Is the add-in card recognized in Device Manager?
- A card issue not listed here? Refer to troubleshooting information supplied by the add-in card manufacturer.

Issues with the Integrated Display

- Are the display contrast and brightness controls properly adjusted? Refer to the operating system containing the video driver for set-up functions.
- Verify that the selected character color is not the same as the background color.
- Try setting to the native resolution. Refer to Appendix A, [Specifications](#).

Issues with an External Display

- Are the display contrast and brightness controls properly adjusted? Refer to the operating system containing the video driver for set-up functions.
- Verify that the selected character color is not the same as the background color.
- Is the display compatible with the selected video mode?
- Is the video cable properly connected?
- Is the video driver properly installed?
- Restart the computer with the external display connected and turned on.
- Is the display functioning properly? Verify the display function by operating it with another computer.

Diagnostics

If you completed the troubleshooting steps and are still having issues, use the Diagnostics menu in the UEFI set-up utility to isolate the issue. Diagnostics can determine the cause of a malfunction by testing computer components, such as the processor, memory, internal drives, video, and other hardware.

Follow these steps to run Diagnostics.

1. Press F10 at any time or press F2 during POST to access the UEFI set-up utility.

IMPORTANT For display computers with aluminum bezels, you can access the diagnostic utility during POST by pressing the UIB on the front of the display; see [page 17](#) for more information about the UIB.

2. Click Diagnostics on the set-up screen.
See [Diagnostics on page 81](#) for more information.

Follow these steps to save diagnostic reports.

1. Select Generate Report in the Options menu and press Enter.
2. Select Report destination and press Enter.
3. Select File and press Enter.
4. Select the device path to generate the log report and press Enter.
If you need to generate the report in the current file system, press Enter.
Otherwise, select Continue and press Enter.
5. Enter log file details (file name and heading) for generating the report. The default file name is AMIDiag.LOG.
6. Set the report parameters, such as log errors, log test activities, log test start time, log test end time, log errors only, log errors only with time, Append to old log file, Log device info on fail, Log device info on abort.
7. To exit the submenu, Select Continue and press Enter.

You can perform an initial diagnosis without disconnecting or moving your computer. The process takes as little as five minutes or as long as eight hours, depending on the test selected. After Diagnostics has run, you can generate a report for analysis by a technical support representative, expediting any necessary repair process.

Load the System Defaults

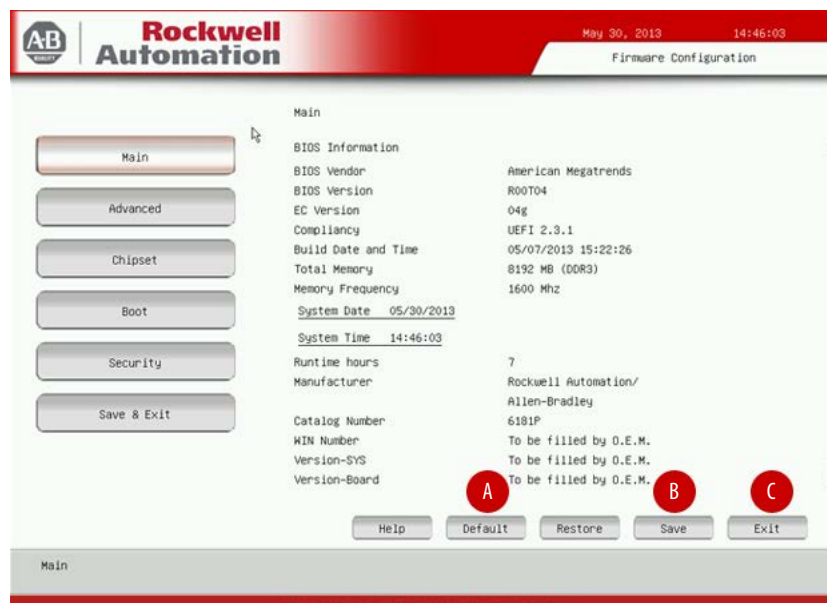
If the computer fails after you make changes in the set-up menus, load the system default settings to correct the error. These default settings have been selected to optimize your computer's performance.

Follow these steps to load the system defaults.

1. Restart the computer as specified in [Restart the Computer on page 41](#).
2. During POST, press F2 to access the UEFI set-up utility.

IMPORTANT For display computers with aluminum bezels, you can access the diagnostic utility during POST by pressing the UIB on the front of the display; see [page 17](#) for more information about the UIB.

3. Click Firmware Configuration on the set-up screen.
4. Click Default (A) on the Main screen.
5. Click Save (B) to save your changes.
6. Click Exit (C) to exit the UEFI set-up utility.



Clear the UEFI

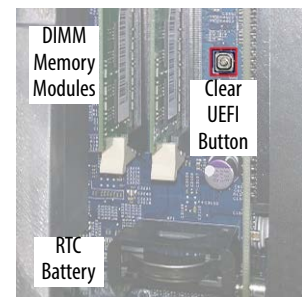
If the system configuration has been corrupted, an incorrect setting has caused error messages to be unreadable, or you cannot access the UEFI set-up utility to load the system defaults, you must clear the system configuration values stored in the UEFI.

Follow these steps to clear the UEFI.

1. Back up all system data and then shut down the computer.
2. Follow the steps for [Pre-configuration on page 44](#).
3. Remove the cover as detailed in [Remove the Cover on page 45](#).

IMPORTANT Use an antistatic wrist strap connected to a grounded surface.

4. Locate the Clear UEFI button on the motherboard.
5. Press and hold the button for three seconds before releasing.
6. Reinstall the cover as detailed in [Reinstall the Cover on page 46](#).
7. Follow the steps for [Post-configuration on page 45](#).



IMPORTANT When you clear the UEFI, all UEFI settings return to their defaults. UEFI settings other than default must be reconfigured after clearing the UEFI.

8. During POST, press F2 to access the UEFI set-up utility and reconfigure settings.

Ship or Transport the Computer

If you need to ship the computer via common carrier or otherwise transport it to another location for servicing or any other reason, you must first uninstall the computer and place it in its original packing material.



ATTENTION: Do not ship or transport the computer when it is installed in a machine, panel, or rack. Doing so can damage to the computer. You must uninstall the computer and place it in its original packing material before shipping. Rockwell Automation is not responsible for damage incurred to a computer that is shipped or transported while installed in a machine, panel, or rack.

Dispose of the Computer



At the end of its life, the computer must be collected separately from any unsorted municipal waste.

You cannot dispose of computer equipment like other waste material. Most computers and monitors contain heavy metals that can contaminate the earth. Therefore, check with local health and sanitation agencies for ways to safely dispose of computer equipment.

If a storage drive is part of what you are disposing, then verify that any data on it has been permanently erased or that you destroy the drive before disposing it.

Use a Touchscreen

Touchscreen Technology

Integrated display computers are shipped with the touchscreen controller installed and connected. The touchscreen controller connects internally to a USB port.

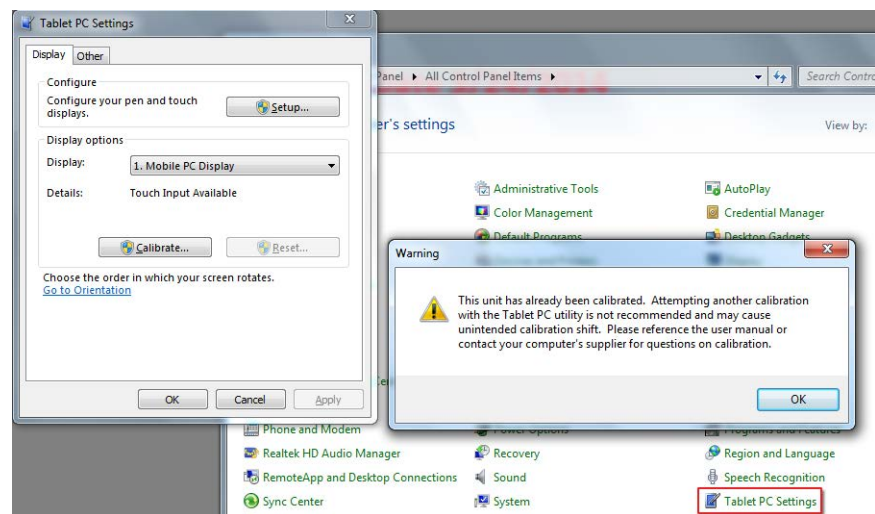
Driver Software

The Microsoft touchscreen driver is already loaded on the computer as part of the operating system. An alternate touchscreen driver is also available for download at the Rockwell Automation Product Compatibility and Download Center (PCDC) at <http://www.rockwellautomation.com/support/pcdc.page#/tab2>.

TIP If you must reinstall the touchscreen driver, the touchscreen utility automatically detects the USB port used by the touchscreen controller.

PCAP Touchscreen Technology

PCAP touchscreens do not need any calibration. If you try to calibrate a PCAP touchscreen through the Windows Tablet PC Settings, you receive a warning.



IMPORTANT PCAP touchscreens are only on Tier 3 computer models. See [Computer Options on page 11](#) to see if your model is Tier 3.

Resistive Technology

Resistive touchscreens are activated when you apply pressure to the touchscreen with your finger. You can operate a resistive touchscreen while wearing gloves.

Resistive touchscreens accept only single finger input. Multi-finger input or ‘palm contact’ can cause an incorrect touch input.



ATTENTION: Do not use sharp instruments to activate the touchscreen. Scratching the surface of the touchscreen can damage the display.

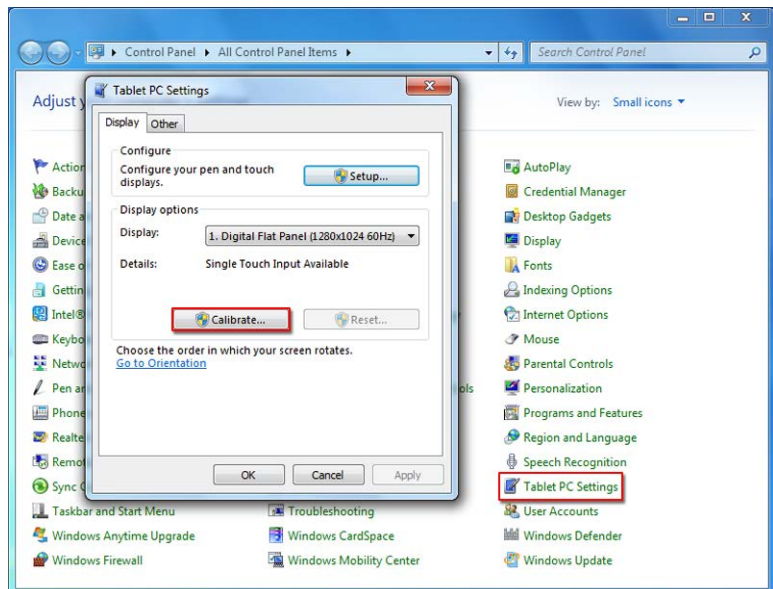
IMPORTANT Resistive touchscreens are only on Tier 2 computer models. See [Computer Options on page 11](#) to see if your model is Tier 2.

Calibrate the Resistive Touchscreen

The resistive touchscreen supplied with the computer is factory installed and calibrated.

Perform the following steps to recalibrate the touchscreen.

1. From the Windows control panel menu, select Tablet PC Settings.
2. On the Display tab of Tablet PC Settings, click Calibrate.
3. Follow the calibration instructions on the touchscreen.



Maintenance

Chapter Objectives

This chapter provides information on how to [Clean the Computer](#).

Clean the Computer

It is important to maintain your computer by cleaning the display, heat sink and vent holes, and removing grease or paint.

IMPORTANT 6181P computer bezels resist the following chemicals:

- Alcohol (methyl or ethyl)
 - Cleaning naphtha
 - Commercial glass cleaners
 - Ammonia (10% dilute solution)
 - Oil (hydraulic or motor)
 - Diesel fuel
 - Gasoline (leaded or unleaded)
 - Antifreeze mixtures (such as ethylene glycol)
 - Automatic transmission fluid
-

Clean the Integrated Display

Perform the following steps to clean the display.

1. Disconnect power from the computer at the power source.



ATTENTION: If the computer has a touchscreen, it is possible for screen objects to activate during equipment wash-downs if the computer is turned on.

2. Clean the display with a mild soap by using a clean sponge or a soft cloth.



ATTENTION: Use of abrasive cleansers or solvents can damage the display window. Do not scrub or use brushes.

3. Dry the display with a chamois or moist cellulose sponge to avoid water spots.

Clean the Fan (Intel Core i7 models)

Perform the following steps to clean the fan.

1. Disconnect power from the computer at the power source.
2. Vacuum dust and debris out of the fan.

Clean the Heat Sink and Vent Holes

Perform the following steps to clean the chassis.

1. Disconnect power from the computer at the power source.
2. Disconnect all peripheral devices from the computer.
3. Vacuum dust and debris from the heat sink and vent holes.

Remove Paint and Grease from Bezel

Perform the following steps to remove paint and grease from the bezel of computers properly mounted in NEMA Type 4/4X or IEC IP66 enclosures.

1. Close and lock the access cover on the front bezel.

IMPORTANT Step 1 does not apply to computers with a stainless steel bezel.

2. Remove paint splashes and grease by rubbing lightly with isopropyl alcohol.



ATTENTION: Make sure the isopropyl alcohol does not come in contact with the equipment labels. Alcohol can cause the label printing to smear.

3. Use a mild soap or detergent solution to remove residue.
4. Rinse with clean water.

Specifications

The following tables contain specifications for the 6181P non-display and integrated display computers. For additional specifications, go to <http://ab.rockwellautomation.com/Computers>.

Table 4 - NDM (non-display) Model Hardware and Software Specifications

Specifications	Attribute	Cat. No. 6181P-					
		00N2HW71AC	00N2HW71DC	00N2SW71AC	00N2SW71DC	00N2SE71AC	00N2SE71DC
Hardware	Processor	Intel i3-4102E; 2 cores; 1.6 GHz; 3 MB cache; TDP 25W					
	Hyperthreading	Yes					
	Turboboost	No					
	UEFI (BIOS) version	2.3.1					
	Intel AMT	No					
	Intel Rapid Start Capable	Yes ⁽²⁾					
	Chipset	QM87 PCH					
	Video resolution	1920 x 1200 at 60 Hz, max					
	Ethernet LAN	10/100/1000 Mbps, 2 ports (rear); Intel i217LM (LAN1, with AMT) and Intel i210AT (LAN2)					
	Expansion slot	1 PCI-express x8 ⁽³⁾					
	System memory						
	Supplied	4 GB (2 x 2 GB)					
	Maximum	16 GB (2 x 8 GB)					
	Memory type	DDR3-1600 204 pin SO-DIMM					
	Memory slots	2					
	Supplied drive ⁽¹⁾	HDD		SSD			
	Quantity	1					
	Size (min/each)	100 GB, 2.5 in.		32 GB, 2.5 in.			
	Interface/location	SATA 0					
	Optical disc drive (ODD)	None supplied					
I/O ports	See page 13 .						
CompactFlash	Type II slot with cover						
Power supply	120-240V AC	18-32V DC	120-240V AC	18-32V DC	120-240V AC	18-32V DC	
Software	Windows OS	See page 10 .					

(1) All drives are in a removable drawer.

(2) Disabled by default.

(3) Configuration supplied with computer; see [page 114](#) for other card configurations.

Table 5 - NDM (non-display) Model Hardware and Software Specifications (continued)

Specifications	Attribute	Cat. No. 6181P-					
		00N3HW71AC	00N3HW71DC	00N3SW71AC	00N3SW71DC	00N3RS81AC	00N3RS81DC
Hardware	Processor	Intel i7-4700EQ; 4 cores; 2.4 GHz; 6 MB cache; TDP 47W					
	Hyperthreading	Yes					
	Turboboost	2.0					
	UEFI (BIOS) version	2.3.1					
	Intel AMT	9.0					
	Intel Rapid Start Capable	Yes ⁽²⁾					
	Chipset	QM87 PCH					
	Video resolution	1920 x 1200 at 60 Hz, max					
	Ethernet LAN	10/100/1000 Mbps, 2 ports (rear); Intel i217LM (LAN1, with AMT) and Intel i210AT (LAN2)					
	Expansion slot	1 PCI-express x8 ⁽³⁾					
	System memory						
	Supplied	8 GB (2 x 4 GB)					
	Maximum	16 GB (2 x 8 GB)					
	Memory type	DDR3-1600 204 pin SO-DIMM					
	Memory slots	2					
	Supplied drive ⁽¹⁾	HDD		SSD		HDD	
	Quantity	1				2	
	Size (min/each)	100 GB, 2.5 in.		32 GB, 2.5 in.		100 GB, 2.5 in.	
	Interface/location	SATA 0				SATA 0 and 1	
	ODD	DVD-RW/CD-RW				None supplied	
	Quantity	1					
	Interface/location	SATA 1					
	I/O ports	See page 13 .					
CompactFlash	Type II slot with cover						
Power supply	120-240V AC	18-32V DC	120-240V AC	18-32V DC	120-240V AC	18-32V DC	
Software	Windows OS	See page 10 .					

(1) All drives are in a removable drawer.

(2) Disabled by default.

(3) Configuration supplied with computer; see [page 114](#) for other card configurations.

Table 6 - 1200P (12-inch display) Model Hardware and Software Specifications

Specifications	Attribute	Cat. No. 6181P-					
		12A2HW71AC	12A2HW71DC	12A2SW71AC	12A2SW71DC	12A2SE71AC	12A2SE71DC
Hardware	Processor	Intel i3-4102E; 2 cores; 1.6 GHz; 3 MB cache; TDP 25W					
	Hyperthreading	Yes					
	TurboBoost	No					
	UEFI (BIOS) version	2.3.1					
	Intel AMT	None					
	Intel Rapid Start Capable	Yes ⁽²⁾					
	Chipset	QM87 PCH					
	Video resolution, max	1920 x 1200 at 60 Hz, max					
	Ethernet LAN	10/100/1000 Mbps, 2 ports (rear); Intel i217LM (LAN1, with AMT) and Intel i210AT (LAN2)					
	Expansion slot	1 PCI-express x8 ⁽³⁾					
	System memory						
	Supplied	4 GB (2 x 2 GB)					
	Maximum	16 GB (2 x 8 GB)					
	Memory type	DDR3-1600 204 pin SO-DIMM					
	Memory slots	2					
	Display (12 in.)						
	Bezel	Aluminum					
	Touchscreen	Resistive					
	Resolution (max)	XGA 1024 x 768					
	Aspect ratio	4:3					
	Supplied drive ⁽¹⁾	HDD		SSD			
	Quantity	1					
	Size (min/each)	100 GB, 2.5 in.		32 GB, 2.5 in.			
Interface/location	SATA 0						
ODD	None supplied						
I/O ports	See page 14 .						
CompactFlash	Type II slot with cover						
Power supply	120-240V AC	18-32V DC	120-240V AC	18-32V DC	120-240V AC	18-32V DC	
Software	Windows OS	See page 10 .					

(1) All drives are in a removable drawer.

(2) Disabled by default.

(3) Configuration supplied with computer; see [page 114](#) for other card configurations.

Table 7 - 1500P (15-inch display) Model Hardware and Software Specifications

Specifications	Attribute	Cat. No. 6181P-									
		15A2HW71AC	15A2HW71DC	15A2SW71AC	15A2SW71DC	15A2SE71AC	15A2SE71DC	15C2HW71AC	15C2HW71DC	15C2SW71AC	
Hardware	Processor	Intel i3-4102E; 2 cores; 1.6 GHz; 3 MB cache; TDP 25W									
	Hyperthreading	Yes									
	Turboboost	No									
	UEFI version	2.3.1									
	Intel AMT	None									
	Intel Rapid Start Capable	Yes ⁽²⁾									
	Chipset	QM87 PCH									
	Video resolution	1920 x 1200 at 60 Hz, max									
	Ethernet LAN	10/100/1000 Mbps, 2 ports (rear); Intel i217LM (LAN1, with AMT) and Intel i210AT (LAN2)									
	Expansion slot	1 PCI-express x8 ⁽³⁾									
	System memory										
	Supplied	4 GB (2 x 2 GB)									
	Maximum	16 GB (2 x 8 GB)									
	Memory type	DDR3-1600 204 pin SO-DIMM									
	Memory slots	2									
	Display (15 in.)										
	Bezel	Aluminum						Stainless steel			
	Touchscreen	Resistive									
	Resolution (max)	XGA 1024 x 768									
	Aspect ratio	4:3									
	Supplied drive ⁽¹⁾	HDD		SSD				HDD		SSD	
	Quantity	1									
	Size (min/each)	100 GB, 2.5 in.			32 GB, 2.5 in.			100 GB, 2.5 in.		32 GB, 2.5 in.	
Interface/location	SATA 0										
ODD	None supplied										
Quantity											
Interface/location											
I/O ports	See page 14 .										
CompactFlash	Type II slot with cover										
Power supply	120-240V AC	18-32V DC	120-240V AC	18-32V DC	120-240V AC	18-32V DC	120-240V AC	18-32V DC	120-240V AC		
Software	Windows OS	See page 10 .									

(1) All drives are in a removable drawer.

(2) Disabled by default.

(3) Configuration supplied with computer; see [page 114](#) for other card configurations.

Table 8 - 1500P (15-inch display) Model Hardware and Software Specification (continued)

Specifications	Attribute	Cat. No. 6181P-								
		15C2SW71DC	15A3HW71AC	15A3HW71DC	15A3SW71AC	15A3SW71DC	15B3HW71AC	15B3HW71DC	15B3SW71AC	15B3SW71DC
Hardware	Processor	Intel i3-4102E ⁽²⁾		Intel i7-4700EQ; 4 cores; 2.4 GHz; 6 MB cache; TDP 47W						
	Hyperthreading	Yes								
	Turboboost	No	2.0							
	UEFI version	2.3.1								
	Intel AMT	None	9.0							
	Intel Rapid Start Capable	Yes ⁽³⁾								
	Chipset	QM87 PCH								
	Video resolution	1920 x 1200 at 60 Hz, max								
	Ethernet LAN	10/100/1000 Mbps, 2 ports (rear); Intel i217LM (LAN1, with AMT) and Intel i210AT (LAN2)								
	Expansion slot	1 PCI-express x8 ⁽⁴⁾								
	System memory									
	Supplied	4 GB (2 x 2 GB)		8 GB (2 x 4 GB)						
	Maximum	16 GB (2 x 8 GB)								
	Memory type	DDR3-1600 204 pin SO-DIMM								
	Memory slots	2								
	Display (15 in.)									
	Bezel	Stainless steel	Aluminum							
	Touchscreen	Resistive	PCAP							
	Resolution (max)	XGA 1024 x 768					HD 1366 x 768			
	Aspect ratio	4:3					16:9			
	Supplied drive ⁽¹⁾	SSD	HDD		SSD		HDD		SSD	
	Quantity	1								
	Size (min/each)	32 GB, 2.5 in.	100 GB, 2.5 in.		32 GB, 2.5 in.		100 GB, 2.5 in.		32 GB, 2.5 in.	
Interface/location	SATA 0							SATA 0 and 1		
ODD	None supplied		DVD-RW/CD-RW							
Quantity	1									
Interface/location	SATA 1									
I/O ports	See page 14 .									
CompactFlash	Type II slot with cover									
Power supply	18-32V DC	120-240V AC	18-32V DC	120-240V AC	18-32V DC	120-240V AC	18-32V DC	120-240V AC	18-32V DC	
Software	Windows OS	See page 10 .								

- (1) All drives are in a removable drawer.
- (2) 2 cores; 1.6 GHz; 3 MB cache; TDP 25W.
- (3) Disabled by default.
- (4) Configuration supplied with computer; see [page 114](#) for other card configurations.

Table 9 - 1700P (17-inch display) Model Hardware and Software Specifications

Specifications	Attribute	Cat. No. 6181P-						
		17A2HW71AC	17A2HW71DC	17A2SW71AC	17A2SW71DC	17A2SE71AC	17A2SE71DC	17C2HW71AC
Hardware	Processor	Intel i3-4102E; 2 cores; 1.6 GHz; 3 MB cache; TDP 25W						
	Hyperthreading	Yes						
	Turboboost	No						
	UEFI version	2.3.1						
	Intel AMT	None						
	Intel Rapid Start Capable	Yes ⁽²⁾						
	Chipset	QM87 PCH						
	Video resolution	1920 x 1200 at 60 Hz, max						
	Ethernet LAN	10/100/1000 Mbps, 2 ports (rear); Intel i217LM (LAN1, with AMT) and Intel i210AT (LAN2)						
	Expansion slot	1 PCI-express x8 ⁽³⁾						
	System memory							
	Supplied	4 GB (2 x 2GB)						
	Maximum	16 GB (2 x 8 GB)						
	Memory type	DDR3-1600 204 pin SO-DIMM						
	Memory slots	2						
	Display (17 in.)							
	Bezel	Aluminum						Stainless steel
	Touchscreen	Resistive						
	Resolution (max)	SXGA 1280 x 1024						
	Aspect ratio	5:4						
	Supplied drive ⁽¹⁾	HDD		SSD			HDD	
	Quantity	1						
	Size (min/each)	100 GB, 2.5 in.		32 GB, 2.5 in.			100 GB, 2.5 in.	
Interface/location	SATA 0							
ODD	None supplied							
I/O ports	See page 14 .							
CompactFlash	Type II slot with cover							
Power supply	120-240V AC	18-32V DC	120-240V AC	18-32V DC	120-240V AC	18-32V DC	120-240V AC	
Software	Windows OS	See page 10 .						

(1) All drives are in a removable drawer.

(2) Disabled by default.

(3) Configuration supplied with computer; see [page 114](#) for other card configurations.

Table 10 - 1700P (17-inch display) Model Hardware and Software Specifications (continued)

Specifications	Attribute	Cat. No. 6181P-						
		17C2HW71DC	17C2SW71AC	17C2SW71DC	17A3HW71AC	17A3HW71DC	17A3SW71AC	17A3SW71DC
Hardware	Processor	Intel i3-4102E; 2 cores; 1.6 GHz; 3 MB cache; TDP 25W			Intel i7-4700EQ; 4 cores; 2.4 GHz; 6 MB cache; TDP 47W			
	Hyperthreading	Yes						
	Turboboost	No			2.0			
	UEFI version	2.3.1						
	Intel AMT	None			9.0			
	Intel Rapid Start Capable	Yes ⁽²⁾						
	Chipset	QM87 PCH						
	Video resolution	1920 x 1200 at 60 Hz, max						
	Ethernet LAN	10/100/1000 Mbps, 2 ports (rear); Intel i217LM (LAN1, with AMT) and Intel i210AT (LAN2)						
	Expansion slot	1 PCI-express x8 ⁽³⁾						
	System memory							
	Supplied	4 GB (2 x 2 GB)			8 GB (2 x 4 GB)			
	Maximum	16 GB (2 x 8 GB)						
	Memory type	DDR3-1600 204 pin SO-DIMM						
	Memory slots	2						
	Display (17 in.)							
	Bezel	Stainless steel			Aluminum			
	Touchscreen	Resistive			PCAP			
	Resolution (max)	SXGA 1280 x 1024			HD 1366 x 768			
	Aspect ratio	5:4						
	Supplied drive ⁽¹⁾	HDD	SSD		HDD		SSD	
	Quantity	1						
	Size (min/each)	100 GB, 2.5 in.	32 GB, 2.5 in.		100 GB, 2.5 in.		32 GB, 2.5 in.	
Interface/location	SATA 0							
ODD	None supplied			DVD-RW/CD-RW				
Quantity	1							
Interface/location	SATA 1							
I/O ports	See page 14 .							
CompactFlash	Type II slot with cover							
Power supply	18-32V DC	120-240V AC	18-32V DC	120-240V AC	18-32V DC	120-240V AC	18-32V DC	
Software	Windows OS	See page 10 .						

(1) All drives are in a removable drawer.

(2) Disabled by default.

(3) Configuration supplied with computer; see [page 114](#) for other card configurations.

Table 11 - 1900P (19-inch display) Model Hardware and Software Specifications

Specifications	Attribute	Cat. No. 6181P-								
		19A2HW71AC	19A2HW71DC	19A2SW71AC	19A2SW71DC	19A2SE71AC	19A2SE71DC	19C2HW71AC	19C2HW71DC	19C2SW71AC
Hardware	Processor	Intel i3-4102E; 2 cores; 1.6 GHz; 3 MB cache; TDP 25W								
	Hyperthreading	Yes								
	Turboboost	No								
	UEFI version	2.3.1								
	Intel AMT	None								
	Intel Rapid Start Capable	Yes ⁽²⁾								
	Chipset	QM87 PCH								
	Video resolution	1920 x 1200 at 60 Hz, max								
	Ethernet LAN	10/100/1000 Mbps, 2 ports (rear); Intel i217LM (LAN1, with AMT) and Intel i210AT (LAN2)								
	Expansion slot	1 PCI-express x8 ⁽³⁾								
	System memory									
	Supplied	4 GB (2 x 2 GB)								
	Maximum	16 GB (2 x 8 GB)								
	Memory type	DDR3-1600 204 pin SO-DIMM								
	Memory slots	2								
	Display (19 in.)									
	Bezel	Aluminum						Stainless steel		
	Touchscreen	Resistive								
	Resolution (max)	SXGA 1280 x 1024								
	Aspect ratio	5:4								
	Supplied drive ⁽¹⁾	HDD		SSD				HDD		SSD
	Quantity	1								
	Size (min/each)	100 GB, 2.5 in.			32 GB, 2.5 in.			100 GB, 2.5 in.		32 GB, 2.5 in.
Interface/location	SATA 0									
ODD	None supplied									
I/O ports	See page 14 .									
CompactFlash	Type II slot with cover									
Power supply	120-240V AC	18-32V DC	120-240V AC	18-32V DC	120-240V AC	18-32V DC	120-240V AC	18-32V DC	120-240V AC	
Software	Windows OS	See page 10 .								

(1) All drives are in a removable drawer.

(2) Disabled by default.

(3) Configuration supplied with computer; see [page 114](#) for other card configurations.

Table 12 - 1900P (19-inch display) Model Hardware and Software Specifications (continued)

Specifications	Attribute	Cat. No. 6181P-								
		19C2SW71DC	19A3HW71AC	19A3HW71DC	19A3SW71AC	19A3SW71DC	19B3HW71AC	19B3HW71DC	19B3SW71AC	19B3SW71DC
Hardware	Processor	Intel i3-4102E ⁽²⁾ Intel i7-4700EQ; 4 cores; 2.4 GHz; 6 MB cache; TDP 47W								
	Hyperthreading	Yes								
	Turboboost	No	2.0							
	UEFI version	2.3.1								
	Intel AMT	None	9.0							
	Intel Rapid Start Capable	Yes ⁽³⁾								
	Chipset	QM87 PCH								
	Video resolution	1920 x 1200 at 60 Hz, max								
	Ethernet LAN	10/100/1000 Mbps, 2 ports (rear); Intel i217LM (LAN1, with AMT) and Intel i210AT (LAN2)								
	Expansion slot	1 PCI-express x8 ⁽⁴⁾								
	System memory									
	Supplied	4 GB (2 x 2 GB)		8 GB (2 x 4 GB)						
	Maximum	16 GB (2 x 8 GB)								
	Memory type	DDR3-1600 204 pin SO-DIMM								
	Memory slots	2								
	Display (19 in.)									
	Bezel	Stainless steel	Aluminum							
	Touchscreen	Resistive	PCAP							
	Resolution (max)	SXGA 1280 x 1024					HD 1366 x 768			
	Aspect ratio	5:4					16:9			
	Supplied drive ⁽¹⁾	SSD	HDD		SSD		HDD		SSD	
	Quantity	1								
	Size (min/each)	32 GB, 2.5 in.	100 GB, 2.5 in.		32 GB, 2.5 in.		100 GB, 2.5 in.		32 GB, 2.5 in.	
	Interface/location	SATA 0								
	ODD	None supplied		DVD-RW/CD-RW						
	Quantity	1								
Interface/location	SATA 1									
I/O ports	See page 14 .									
CompactFlash	Type II slot with cover									
Power supply	18-32V DC	120-240V AC	18-32V DC	120-240V AC	18-32V DC	120-240V AC	18-32V DC	120-240V AC	18-32V DC	
Software	Windows OS	See page 10 .								

- (1) All drives are in a removable drawer.
- (2) 2 cores; 1.6 GHz; 3 MB cache; TDP 25W.
- (3) Disabled by default.
- (4) Configuration supplied with computer; see [page 114](#) for other card configurations.

Table 13 - Environment

Attribute	Model				
	NDM	12 in.	15 in.	17 in.	19 in.
Dimensions (HxWxD), approx. Standard models	251 x 353 x 100.7 mm (9.88 x 13.89 x 3.96 in.)	279 x 349 x 103 mm (10.98 x 13.74 x 4.06 in.)	309 x 408.9 x 103 mm (12.16 x 16.1 x 4.06 in.)	355 x 449 x 103 mm (13.97 x 17.68 x 4.06 in.)	399.3 x 481.6 x 106.4 mm (15.72 x 18.96 x 4.19 in.)
Widescreen models			284 x 447 x 106.4 mm (11.18 x 17.6 x 4.19 in.)		339.3 x 515.6 x 106.4 mm (13.36 x 20.3 x 4.19 in.)
Weight, approx. Standard models – Aluminum bezel – Stainless steel bezel Widescreen models	7.5 kg (16.5 lb)	8.5 kg (18.7 lb)	9.9 kg (21.8 lb) 11.1 kg (24.5 lb)	11.1 kg (24.5 lb) 12.8 kg (28.2 lb)	13.2 kg (29.1 lb) 14.5 kg (32 lb) 13 kg (28.7 lb)
Enclosure ratings With aluminum bezels With stainless steel bezels	<ul style="list-style-type: none"> • UL 50 Type 1, 4, and 12 (indoor use only) • IEC 60529, IP66 • UL 50 Type 1, 4, 4X, and 12 (indoor use only) • IEC 60529, IP66 				
Temperature, operating ⁽¹⁾ Display sizes (aspect ratio): Non-display, 12 in. (4:3), 15 in. (4:3), and 17 in. (5:4) 15.6 in. (16:9), 18.5 in. (16:9), and 19 in. (5:4)	0...55 °C (32...131 °F) 0...50 °C (32...122 °F) ⁽³⁾				
Temperature, nonoperating	-20...60 °C (-4...140 °F)				
Altitude, operating	Sea level to 2,000 m (6,562 ft)				
Altitude, nonoperating	Sea level to 12,192 m (40,000 ft)				
Relative humidity	10...90% noncondensing at 50%				
Shock, operating ⁽¹⁾⁽²⁾	15 g (1/2 sine, 11 ms)				
Shock, nonoperating ⁽¹⁾⁽²⁾	30 g (1/2 sine, 11 ms)				
Vibration, operating ⁽¹⁾⁽²⁾ HDD models SSD models	0.006 in p-p, 10...57 Hz, 1.0 g peak sine, 57...640 Hz 0.012 in p-p, 10...57 Hz, 2.0 g peak sine, 57...640 Hz				
Vibration, nonoperating ⁽¹⁾⁽²⁾ HDD models SSD models	0.012 in p-p, 10...57 Hz, 2.0 g peak sine, 57...640 Hz 0.018 in p-p, 10...57 Hz, 3.0 g peak sine, 57...640 Hz				

- (1) The optical disc drive (ODD) is considered a maintenance device. Therefore, do not operate computers with ODDs in temperatures above 45 °C (113 °F) or in environments with the shock and vibration levels listed.
- (2) Does not apply to bookshelf mounted non-display computers.
- (3) Computers rated to 50 °C max operating temperature were tested under typical load conditions, which includes the following:
- Passmark BurnInTest software, version 7.1 or higher running at 50%
 - Windows 7 Professional 64 bit OS
 - A single HDD
 - Three USB ports in use
 - Both Ethernet ports in use
 - Display brightness at default 70% setting
 - 12 W max load on PCIe x8 rider card slot
 - Keyboard and mouse peripherals attached
 - Two external displays attached
- In applications where these computers are fully loaded, the max operating temperature is 45 °C (113 °F).

Table 14 - Power

Attribute	All 6181P Models
AC models	
Input voltage	100...240V, autoranging
Power consumption	100...240V; 1.8...0.75 A 50/60 Hz; 180VA
DC models	
Input voltage	18...32V
Power consumption	18...32V; 10.0...5.63 A; 180 W SELV
Ratings, max	
USB 3.0 port	900 mA ⁽¹⁾
PCIe slot	12 W internal, 28 W external (40 W total)

(1) Per port. Maximum of two ports loaded at 900 mA and all other ports at 500 mA.

Table 15 - Certifications

Attribute ⁽¹⁾	All 6181P Models																																																																					
c-UL-us	UL/c-UL Listed per UL 60950-1 and CSA C22.2 60950-1 second edition																																																																					
CE	EMC 2004/108/EEC <ul style="list-style-type: none"> Immunity standards: EN55024, EN61000-3-2, EN61000-3-3 Emission standards: EN55022 Class A EN 60950-1 EU REACH: Regulation No. 1907/2006 of the European Parliament ⁽²⁾ Waste Electrical and Electronic Equipment (WEEE) 2002/96/EC Metric Directive 80/181/EEC EU Battery Directive 2006/66/EC Low voltage directive: LVD 2006/95/EC																																																																					
FCC	Class A emissions																																																																					
RCM	Emission standards: AS/NZS CISPR 22 Class A																																																																					
RoHS	European RoHS 2011/65/EU China RoHS: 表格上的信息表示本产品中含有少量的某些材料, 这只适用于中国ROHS。 在这些产品上会有一个显示 " 环境友好使用期限 " 的标签。这个期限是估算的 " 产品不会有泄露或者突变 " 的年限。 这个产品可能含有某些可替换元件, 这些元件的环境友好使用期限可能比较短。这些元件会有单独标记。 <table border="1" style="width: 100%; border-collapse: collapse; text-align: center;"> <thead> <tr> <th rowspan="2">部件名称</th> <th colspan="6">有毒有害物质或元素</th> </tr> <tr> <th>铅 (Pb)</th> <th>汞 (Hg)</th> <th>镉 (Cd)</th> <th>六价铬 (Cr(VI))</th> <th>多溴联苯 (PBB)</th> <th>多溴二苯醚 (PBDE)</th> </tr> </thead> <tbody> <tr> <td>壳体 (Housing)</td> <td>X</td> <td>○</td> <td>○</td> <td>○</td> <td>○</td> <td>○</td> </tr> <tr> <td>显示 (Display)</td> <td>X</td> <td>○</td> <td>○</td> <td>○</td> <td>○</td> <td>○</td> </tr> <tr> <td>印刷电路板 (Printed Circuit Board)</td> <td>X</td> <td>○</td> <td>○</td> <td>○</td> <td>○</td> <td>○</td> </tr> <tr> <td>金属螺帽 (Metal Fasteners)</td> <td>X</td> <td>○</td> <td>○</td> <td>○</td> <td>○</td> <td>○</td> </tr> <tr> <td>电缆组装 (Cable Assembly)</td> <td>X</td> <td>○</td> <td>○</td> <td>○</td> <td>○</td> <td>○</td> </tr> <tr> <td>风扇组装 (Fan Assembly)</td> <td>X</td> <td>○</td> <td>○</td> <td>○</td> <td>○</td> <td>○</td> </tr> <tr> <td>电力供应组装 (Power Supply Assemblies)</td> <td>X</td> <td>○</td> <td>○</td> <td>○</td> <td>○</td> <td>○</td> </tr> <tr> <td>电池 (Battery)</td> <td>○</td> <td>○</td> <td>○</td> <td>○</td> <td>○</td> <td>○</td> </tr> </tbody> </table> <p>○: 表示该有毒有害物质在该部件所有均质材料中的含量均在SJ/T11363-2006 标准规定的限量要求以下。 X: 表示该有毒有害物质至少在该部件的某一均质材料中的含量超出SJ/T11363-2006 标准规定的限量要求。(企业可在此处, 根据实际情况对上表中打 "X" 的技术原因进行进一步说明。)</p> 这个产品可能含有某些可替换元件, 这些元件的环境友好使用期限可能比较短。这些元件会有单独标记。 电池: 10 年 Turkey RoHS (EEE Yönetmeliğine Uygundur. In Conformity with the EEE Regulation)	部件名称	有毒有害物质或元素						铅 (Pb)	汞 (Hg)	镉 (Cd)	六价铬 (Cr(VI))	多溴联苯 (PBB)	多溴二苯醚 (PBDE)	壳体 (Housing)	X	○	○	○	○	○	显示 (Display)	X	○	○	○	○	○	印刷电路板 (Printed Circuit Board)	X	○	○	○	○	○	金属螺帽 (Metal Fasteners)	X	○	○	○	○	○	电缆组装 (Cable Assembly)	X	○	○	○	○	○	风扇组装 (Fan Assembly)	X	○	○	○	○	○	电力供应组装 (Power Supply Assemblies)	X	○	○	○	○	○	电池 (Battery)	○	○	○	○	○	○
部件名称	有毒有害物质或元素																																																																					
	铅 (Pb)	汞 (Hg)	镉 (Cd)	六价铬 (Cr(VI))	多溴联苯 (PBB)	多溴二苯醚 (PBDE)																																																																
壳体 (Housing)	X	○	○	○	○	○																																																																
显示 (Display)	X	○	○	○	○	○																																																																
印刷电路板 (Printed Circuit Board)	X	○	○	○	○	○																																																																
金属螺帽 (Metal Fasteners)	X	○	○	○	○	○																																																																
电缆组装 (Cable Assembly)	X	○	○	○	○	○																																																																
风扇组装 (Fan Assembly)	X	○	○	○	○	○																																																																
电力供应组装 (Power Supply Assemblies)	X	○	○	○	○	○																																																																
电池 (Battery)	○	○	○	○	○	○																																																																
Korea	Korean Certification of Broadcasting and Communications Equipment, compliant with Article 58-2 of Radio Waves Act, Clause 2 Emissions standards: Class A 이 기기는 업무용 (A 급) 전자파적합기기로서 판매자 또는 사용자는 이 점을 주의하시기 바라며, 가정 외의 지역에서 사용하는 것을 목적으로 합니다.																																																																					
EAC (TR CU)	Low Voltage TR CU 004/2011 EMC TR CU 020/2011																																																																					

(1) See <http://www.rockwellautomation.com/certification> for declarations of conformity, certificates, and other certification details.
 (2) Rockwell Automation maintains current product environmental information on its website at <http://www.rockwellautomation.com/rockwellautomation/about-us/sustainability-ethics/product-environmental-compliance.page>.

Accessories Installation

Objectives

This appendix provides information about installing accessories available for this computer.

This appendix covers the following topics:

- [Pre-installation Checklist](#)
- [Install an Add-in Card](#)
- [Install Additional Memory](#)

You can view a current list of accessories at this Rockwell Automation website:
<http://ab.rockwellautomation.com/Computers>.

IMPORTANT We recommend that you use only Allen-Bradley approved accessories. Refer to <http://ab.rockwellautomation.com/Computers> for qualified replacement parts and accessories.

Pre-installation Checklist

Review the following information before installing any accessories.:

- [Voltage Precautions on page 43](#)
- [Electrostatic Discharge Precautions on page 44](#)

Install an Add-in Card

Display and non-display computers support half-length, full-height add-in cards. Half-length PCI/PCIe cards are 106.68 mm (4.2 in.) high by 175.26 mm (7.0 in.) long.

The following table lists PCI/PCIe slots and configurations supported by the display and non-display computers.

Computer Model	Default One-slot Configuration	Alternate One-slot Using PCI Riser Kit (Cat. No. 6189V-PCIR)	Alternate Two-slot Using PCI/PCIe Extender Kit (Cat. No. 6189V-EXTPC12)
All display and non-display	1 PCI Express x8	1 PCI	<ul style="list-style-type: none"> • 2 PCI • 2 PCIe x4 • 1 PCIe x4 + 1 PCI

Any PCI/PCIe configuration supports 12 W (maximum) internal to the PCI/PCIe slot and 28 W (maximum) external to the computer, for a maximum load of 40 W. Verify that your card does not exceed its thermal ratings.

When the computer is running at its maximum rated temperature, the ambient temperature in the PCI/PCIe slot operating with a 4 W fanless card can reach 70 °C (158 °F). With a 12 W load, the ambient temperature can reach 90 °C (194 °F). Your PCI/PCIe slot temperatures can be lower based on the power usage of your specific application.



ATTENTION: Add-in cards are sensitive to ESD and require careful handling:

- Hold cards only by the edges.
- Do not touch the card connectors, components, or circuits.
- After removing an add-in card, place it on a flat, static-free surface, component side up.
- Do not slide the card over any surface.

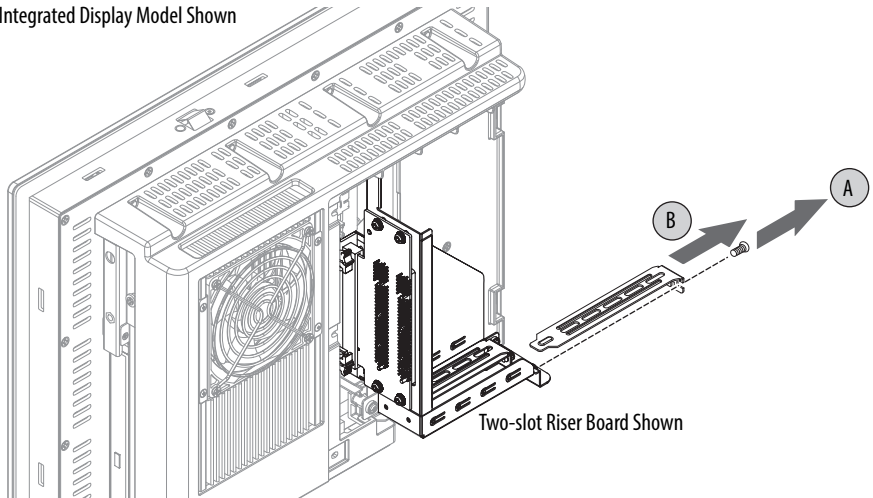
IMPORTANT Use an antistatic wrist strap connected to the work surface, and properly grounded tools and equipment.

Follows these steps to install an add-in card (the performance computer is shown).

1. Follow the steps for [Pre-configuration on page 44](#).
2. Remove the computer cover as detailed in [Remove the Cover on page 45](#).

3. Remove the screw that secures the slot cover (A).
4. Pull out the slot cover (B) and store it.

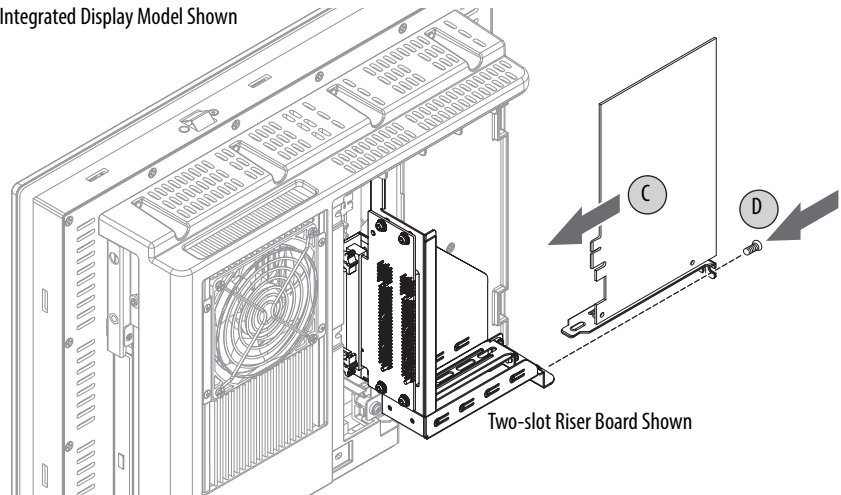
Integrated Display Model Shown



ATTENTION: Do not discard the slot cover. If the add-in card is removed in the future, the slot cover must be reinstalled to maintain proper cooling.

5. Remove the add-in card from its protective packaging.
6. Slide the add-in card into a compatible riser board slot (C).
Press to make sure it is firmly seated in the slot.
7. Secure the add-in card with the screw (D).

Integrated Display Model Shown



8. Connect any necessary cables to the add-in card.
9. Refer to any installation instructions that came with the add-in card to verify that all installation steps are followed.
10. Reinstall the computer cover as detailed in [Remove the Cover on page 45](#).
11. Follow the steps for [Post-configuration on page 45](#).

PCI/PCIe Riser Board Options

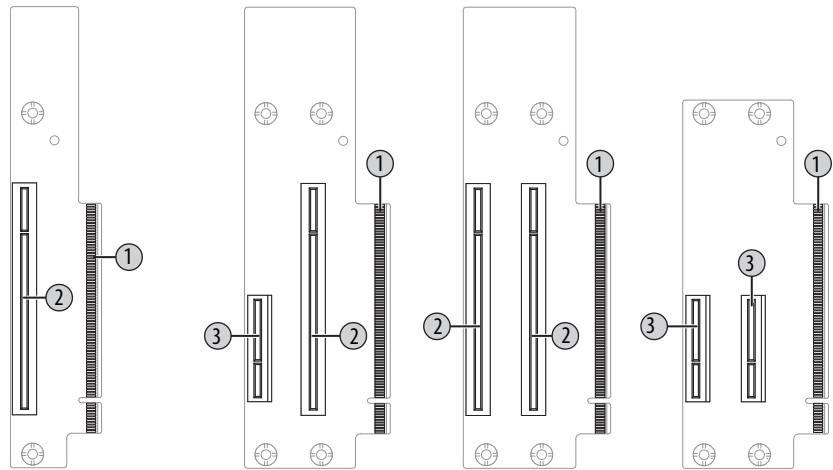
You can use the PCI/PCIe expansion slot kit, catalog number 6189V-EXTPCI2, to change the default one-slot PCI/PCIe riser board to the following:

- Two-slot PCI riser board
- Two-slot PCIe x4 riser board
- Two-slot riser board with one PCI slot and one PCIe x4 slot

Figure 19 - PCI/PCIe Riser Board Options

One-slot PCI Riser Kit,
Cat. No. 6189V-PCIR

Alternate Two-slot PCI/PCIe Extender Kit, Cat. No. 6189V-EXTPCI2



Item	Component
1	Motherboard connector
2	PCI expansion slot
3	PCIe x4 expansion slot

Follow these steps to install the PCI/PCIe expansion slot kit (the display computer is shown).



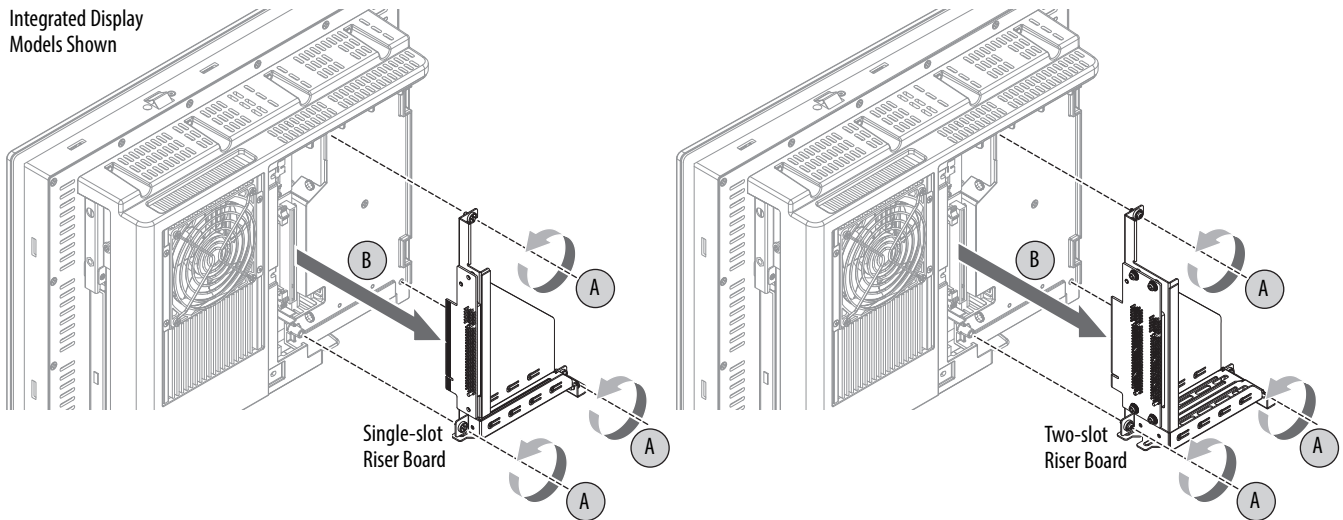
SHOCK HAZARD: Electrostatic discharge (ESD) can damage the computer and components. Read and follow [Electrostatic Discharge Precautions on page 44](#) before removing the rear cover.

Failure to follow proper safety precautions could result in severe electrical shock or damage to the computer.

1. Follow the steps for [Pre-configuration on page 44](#).
2. Remove the computer cover as detailed in [Remove the Cover on page 45](#).
3. Remove the three screws that secure the default PCIe x8 riser board bracket (A).

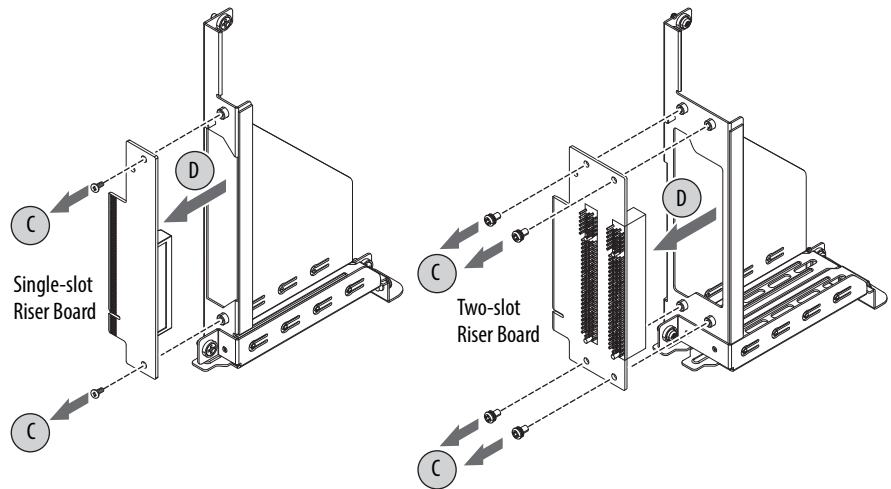
4. Remove the PCIe x8 riser board assembly from the chassis (B).

Integrated Display
Models Shown



5. Remove the screws that secure the default riser board (C).

6. Remove the riser board from its bracket (D).

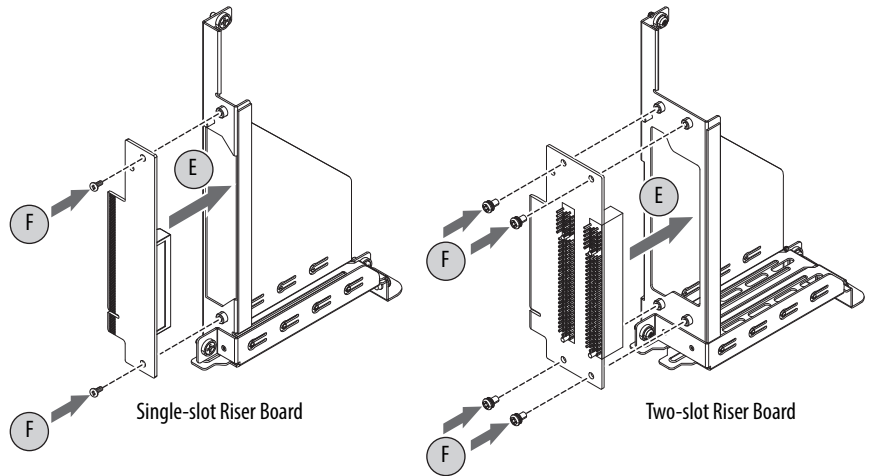


7. Place the default riser board with its screw on a static-dissipating work surface or inside an antistatic bag.

8. Hold the new riser board by its edge and remove it from its protective packaging.

9. Align the new riser board with the PCI/PCIe riser board bracket (E).

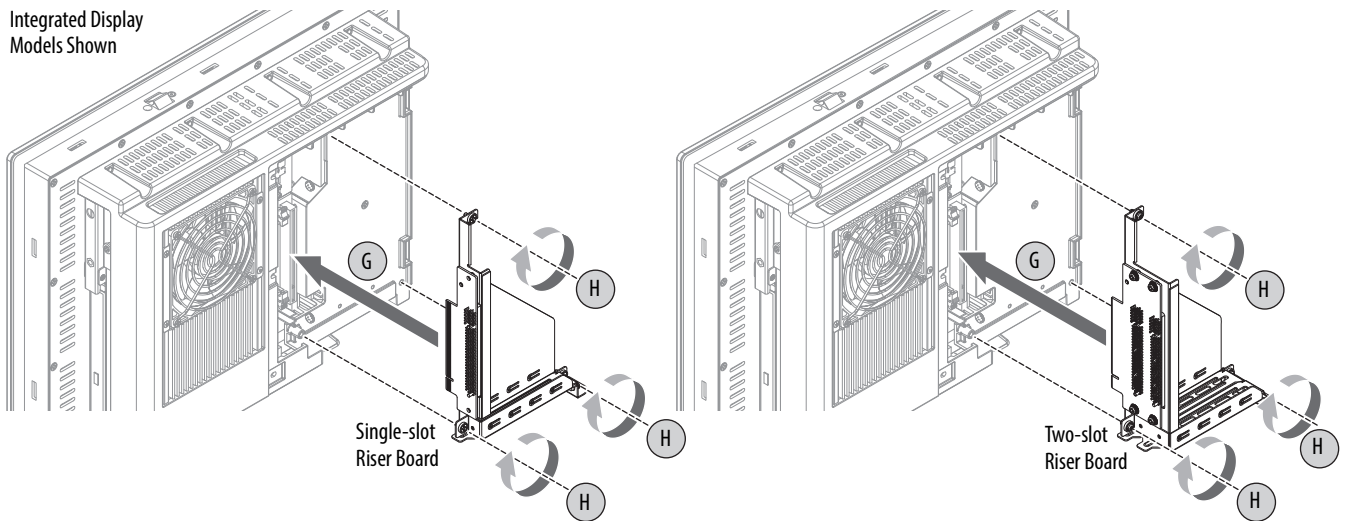
10. Secure it with the screws provided with the kit (F).



If you are installing	Then use	Secure it with
A two-slot riser board	The PCI/PCIe riser bracket provided with the kit	Four screws
A single-slot riser board	The default PCI/PCIe riser bracket	Two screws

11. Insert the riser board connector in the onboard expansion slot making sure the board is properly seated in the slot (G).
12. Tighten the three screws to secure the PCI/PCIe riser board assembly to the chassis (H).

Integrated Display Models Shown



IMPORTANT Make sure the mounting bracket does not pinch any cables under the bracket.

If you intend to install	Then
A compatible add-in card now	Proceed to page 114 for instructions.
An add-in card later	1. Reinstall the rear cover. 2. Apply power to the computer.

13. Reinstall the computer cover as detailed in [Reinstall the Cover on page 46](#).
14. Follow the steps for [Post-configuration on page 45](#).

Install Additional Memory

The motherboard of the integrated display computers has two SO-DIMM slots that support up to 16 GB maximum system memory.

See [Replace or Add Memory Modules on page 48](#) for further information on installing additional memory.

Notes:

A

- AC power**
 - connect 34
- accessories** 43, 113
- add-in cards**
 - PCI expansion slot kit
 - options 116
 - riser board options 116
 - troubleshooting 92
- audio jacks**
 - in non-display computers 13
 - in display computers 14

B

- BIOS Setup utility** 57
 - access 58
 - Setup screen 58

C

- calibrating touchscreen** 98
- cleaning the computer**
 - chassis 100
 - display 99
 - paint/grease marks 100
- CompactFlash card**
 - slot locations 46
- component replacement**
 - CompactFlash card 46
- computer dimensions**
 - 1200P display 25
 - 1500P display 25
 - 1700P display 26
 - 1900P display 27
 - Non-display 24
- configuration tools**
 - installation 28

D

- DC power**
 - connect 35
- diagnostic utility**
 - usage 81, 93
- display**
 - cleaning precautions 99
- display, cleaning** 99

E

- Ethernet connection** 37

F

- features**
 - non-display 13
 - display 14, 15, 16
 - system boards 15
- Firmware Configuration**
 - Advanced 62
 - Boot 78
 - Chipset 75
 - Main 61
 - Save & Exit 80
 - Security 79
- functional ground screw** 36

H

- hard disk drive**
 - precautions 47
 - removal 47
 - replace 113
 - specifications 101, 102, 103, 104, 105, 106, 107, 108, 109
- hardware diagnostics** 89
- hardware features**
 - non-display 13
 - display 14, 15, 16
 - system boards 15
- hardware monitor** 89

I

- I/O connections** 33
- installation**
 - connect peripherals 33
 - connect to LAN 37
 - environment and enclosure notice 22
 - guidelines 23
 - product dimensions 24
 - required tools 28

L

- LAN connection** 37

M

- maintenance**
 - clean the computer 99
 - cleaning display 99
- memory**
 - installation guidelines 49
 - installation precautions 49
- mounting**
 - panel mounting 30

N**network connection**

- Ethernet LAN 101, 102, 103, 104, 105, 106, 107, 108, 109
- LAN cable reminder 22

O**optical disc drive**

- specifications 101, 102, 103, 105, 106, 108, 109

P**panel mounting**

- guidelines 28
- panel cutout 29

parts list 13**PCI Expansion Slot Kit**

- install 116

peripherals

- connect 33

power

- DC 35
- functional ground screw 36

power connection

- notices 34

power supply unit (PSU)

- replace 52

R**rear cover**

- install, display/non-display 46
- remove, display/non-display 45

replace components

- post-configuration procedure 45
- pre-configuration procedure 44

replacement parts 43, 113**RTC battery**

- estimated life span 50

S**Setup menu**

- AMI Rescue 83
- Diagnostics 81
- Exit 88
- Firmware Configuration 60
- Firmware Update 59

shut down procedure 41**SO-DIMM slots**

- install memory 49

system

- defaults 94

system views

- non-display, bottom 13
- non-display, rear 13
- non-display, sides 13
- display, front 14, 15, 16
- display, rear 14, 15, 16
- display, sides 14, 15, 16

T**touchscreen**

- calibrating 98
- driver software 97
- type 98

troubleshooting

- add-in card installation 92
- add-in card problem 92
- after boot-up 91
- checklists 91
- clearing UEFI 95
- diagnostic utility 93
- during boot-up 91
- external display problem 92
- hardware monitor 89
- integrated display problem 92
- load system defaults 94
- procedure 58, 90

U**UEFI**

- clear 95

unpacking reminders 12

Rockwell Automation Support

Rockwell Automation provides technical information on the Web to assist you in using its products.

At <http://www.rockwellautomation.com/support> you can find technical and application notes, sample code, and links to software service packs. You can also visit our Support Center at <https://rockwellautomation.custhelp.com/> for software updates, support chats and forums, technical information, FAQs, and to sign up for product notification updates.

In addition, we offer multiple support programs for installation, configuration, and troubleshooting. For more information, contact your local distributor or Rockwell Automation representative, or visit <http://www.rockwellautomation.com/services/online-phone>.

Installation Assistance

If you experience a problem within the first 24 hours of installation, review the information that is contained in this manual. You can contact Customer Support for initial help in getting your product up and running.

United States or Canada	1.440.646.3434
Outside United States or Canada	Use the Worldwide Locator at http://www.rockwellautomation.com/rockwellautomation/support/overview.page , or contact your local Rockwell Automation representative.

New Product Satisfaction Return

Rockwell Automation tests all of its products to help ensure that they are fully operational when shipped from the manufacturing facility. However, if your product is not functioning and needs to be returned, follow these procedures.

United States	Contact your distributor. You must provide a Customer Support case number (call the phone number above to obtain one) to your distributor to complete the return process.
Outside United States	Please contact your local Rockwell Automation representative for the return procedure.

Documentation Feedback

Your comments will help us serve your documentation needs better. If you have any suggestions on how to improve this document, complete this form, publication [RA-DU002](#), available at <http://www.rockwellautomation.com/literature/>.

Rockwell Otomasyon Ticaret A.Ş., Kar Plaza İş Merkezi E Blok Kat:6 34752 İçerenköy, İstanbul, Tel: +90 (216) 5698400

www.rockwellautomation.com

Power, Control and Information Solutions Headquarters

Americas: Rockwell Automation, 1201 South Second Street, Milwaukee, WI 53204-2496 USA, Tel: (1) 414.382.2000, Fax: (1) 414.382.4444

Europe/Middle East/Africa: Rockwell Automation NV, Pegasus Park, De Kleetlaan 12a, 1831 Diegem, Belgium, Tel: (32) 2 663 0600, Fax: (32) 2 663 0640

Asia Pacific: Rockwell Automation, Level 14, Core F, Cyberport 3, 100 Cyberport Road, Hong Kong, Tel: (852) 2887 4788, Fax: (852) 2508 1846